



# DIAPHRAGM PUMP 2''

## FOOD / SANITARY

### DESCRIPTION

Pneumatic double diaphragm Transfer Pump for food and pharmaceutical fluids.  
Self-Priming

### TECHNICAL DATA

Materials in contact with the fluid

Stainless Steel AISI 316 L

PTFE

Adjustable Flow

0÷500 L/min

Fittings

2'' Triclamp

2'' DIN 11853

Ø Max. for solid particles

8 mm

Air Inlet

1/2'' Gas

Air Pressure to be supplied (Min / Max)

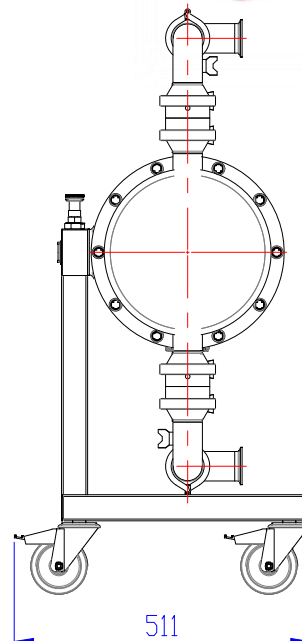
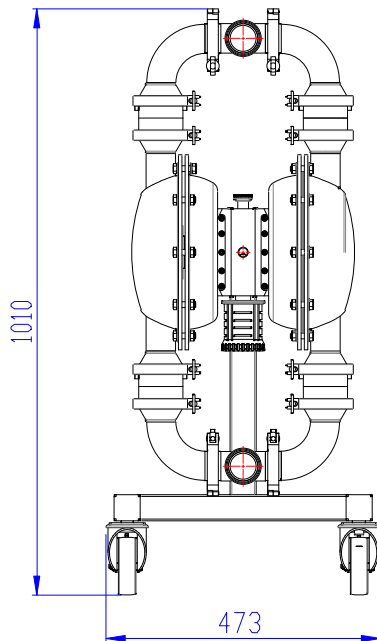
1 bar – 8 bar

Weight

49 kg

Noise

<70 dB[A]



Capitania Airpumps srl

[www.airpumps.it](http://www.airpumps.it) – [capitania@airpumps.it](mailto:capitania@airpumps.it)