



# DIAPHRAGM PUMPS

TECHNICAL CATALOGUE - REV. 00/2017



Capitanio Airpumps s.r.l. – Via Brigata Mazzini 35/A 36016 – Thiene (VI)  
Tel. +39 0445 185.65.65 – Fax. +39 0445 185.65.00  
[www.airpumps.it](http://www.airpumps.it) [capitanio@airpumps.it](mailto:capitanio@airpumps.it)





# INDEX

<b>Capitania Airpumps</b>	<b>5</b>
DN8 Aluminum (3/8").....	6
DN8 Stainless Steel (3/8") .....	8
DN8 Polypropylene (3/8").....	10
DN12 Aluminum (1/2").....	12
DN15 Aluminum (1/2").....	14
DN15 Stainless Steel (1/2") .....	16
DN15 Polypropylene (1/2") .....	18
DN15 PVDF (1/2") .....	20
DN15 PTFE (1/2").....	22
DN20 Aluminum (3/4").....	24
DN20 Polypropylene.....	26
DN20 Polyethylene(3/4").....	28
DN25 Aluminum (1") .....	30
DN25 Polypropylene (1").....	32
DN25 PTFE (1") .....	34
DN28 Polypropylene (1").....	36
DN28 PVDF (1") .....	38
DN40 Aluminum (1" 1/2").....	40
DN50 Polypropylene (2").....	42
DN50 PVDF (2") .....	44
DN50 Stainless Steel (2").....	46
Reverse.....	48
Customization.....	49
<b>Accessories</b>	<b>51</b>
Pulsation Dampeners .....	53
Static Pulsation Dampeners.....	54
Inlet Filters .....	56
Tanks & Barrels.....	57
Complete Sets.....	58
Adjusting Kits.....	59
Supports .....	60
Fast Color.....	61
Lifters.....	62

# CAPITANIO AIRPUMPS



## WHO WE ARE

Since 1979 Capitanio Airpumps designs and produces **double diaphragm** and **piston** air operated pumps, **valves** and **pulsation dampeners**. Suitable for every kind of fluid, adjustable flow and pressure, reversible. Every product is very High Quality and **MADE IN ITALY**.

## REAL ADDED VALUE

Capitanio Airpumps is a dynamic company, fast and punctual in both administration and production. Thanks to this philosophy the company is able to work on **customized projects and products**, offer **prompt technical assistance** and have **spare parts** always ready to be shipped **in stock**.

## PATENTS

Capitanio Airpumps owns a few patented products, like the innovative **Reverse system**, the **double diaphragm process Valve** and the active **double diaphragm Pulsation Dampener**. Other products are patent pending.



# DN8 ALUMINUM (3/8")



## PLUS

- Stainless Steel Screws
- Replaceable Inlet/Outlet valves
- Compact Design



## TECHNICAL DATA

Adjustable Flow Rate

Inlet/Outlet Ports

Solids Max Size

Max suction lift dry / wet

Air Inlet

Air Supply Pressure (Min / Max)

Weight

Noise Level

Diaphragms, gaskets, valves

0÷16 l/min

3/8" Gas Thread

1 mm

3,5 m / 5 m

1/4" Gas

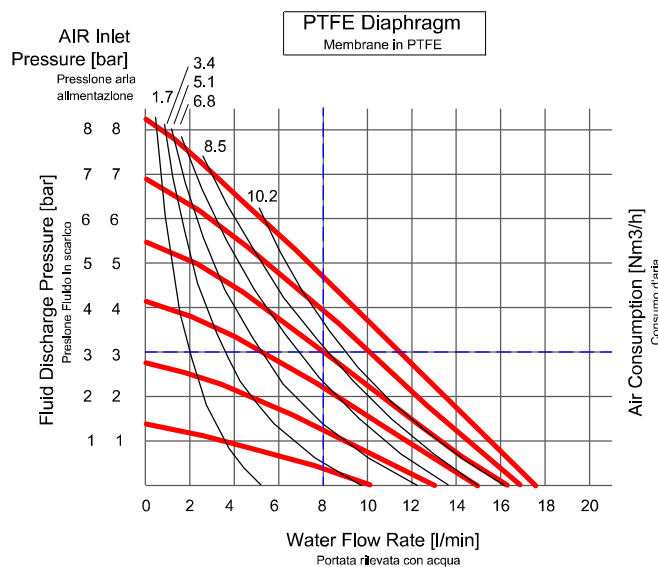
1 / 6.8 bar

3,5 Kg

<78 dB [A]

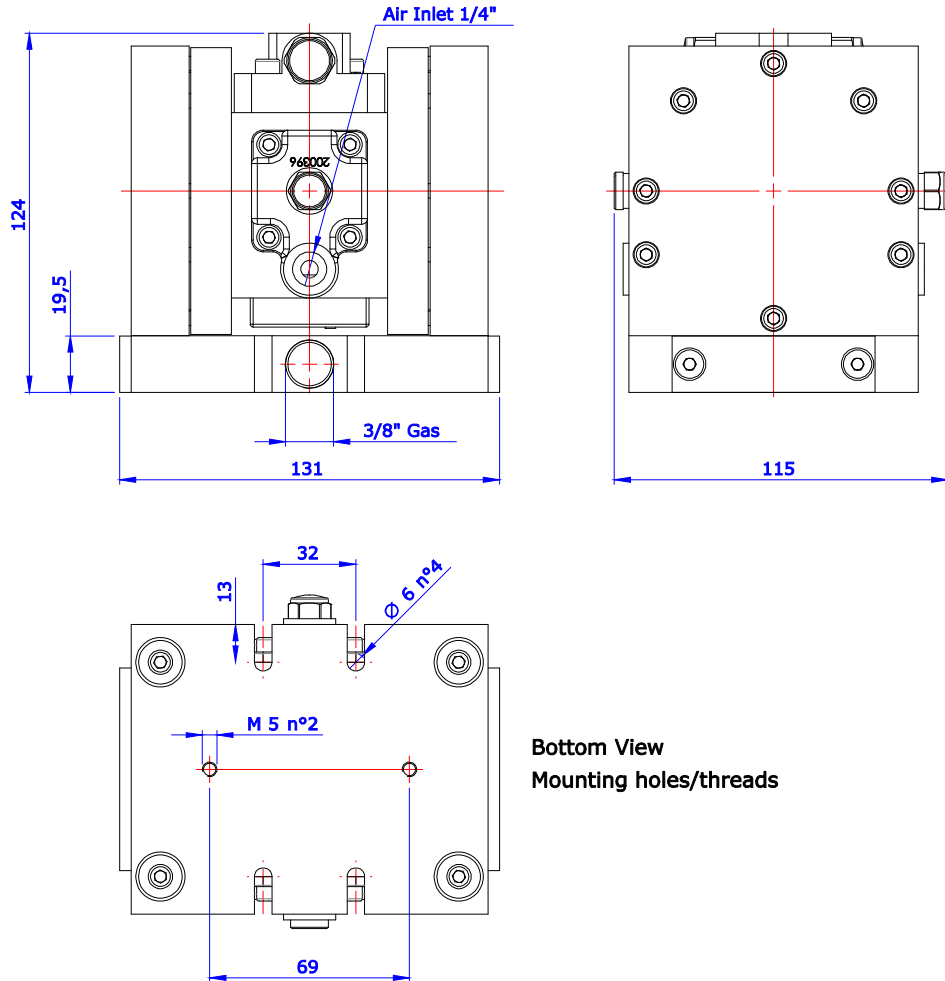
Configurable based on the fluid to process

## PERFORMANCE



Per pompare 8 l/min ad una pressione di 3 bar, si richiedono di 5.5 bar di alimentazione con consumo d'aria di 8.5 Nm<sup>3</sup>/h.  
To pump 8 lpm against a discharge pressure head of 3 bar, requires 5.5 bar and 8.5 Nm<sup>3</sup>/h air consumption.

## DIMENSIONS



Bottom View  
Mounting holes/threads

# DN8 STAINLESS STEEL (3/8")



## PLUS

- Stainless Steel Screws
- Replaceable Inlet/Outlet valves
- Compact Design



## TECHINCAL DATA

Adjustable Flow Rate

Inlet/Outlet Ports

Solids Max Size

Max suction lift dry / wet

Air Inlet

Air Supply Pressure (Min / Max)

Weight

Noise Level

Diaphragms, gaskets, valves

0÷16 l/min

3/8" Gas Thread

1 mm

3,5 m / 5 m

1/4" Gas

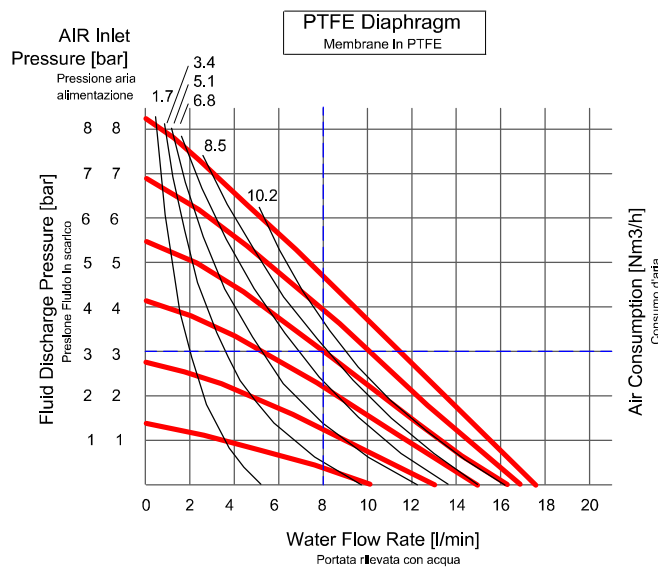
1 / 6.8 bar

5,5 Kg

<78 dB [A]

Configurable based on the fluid to process

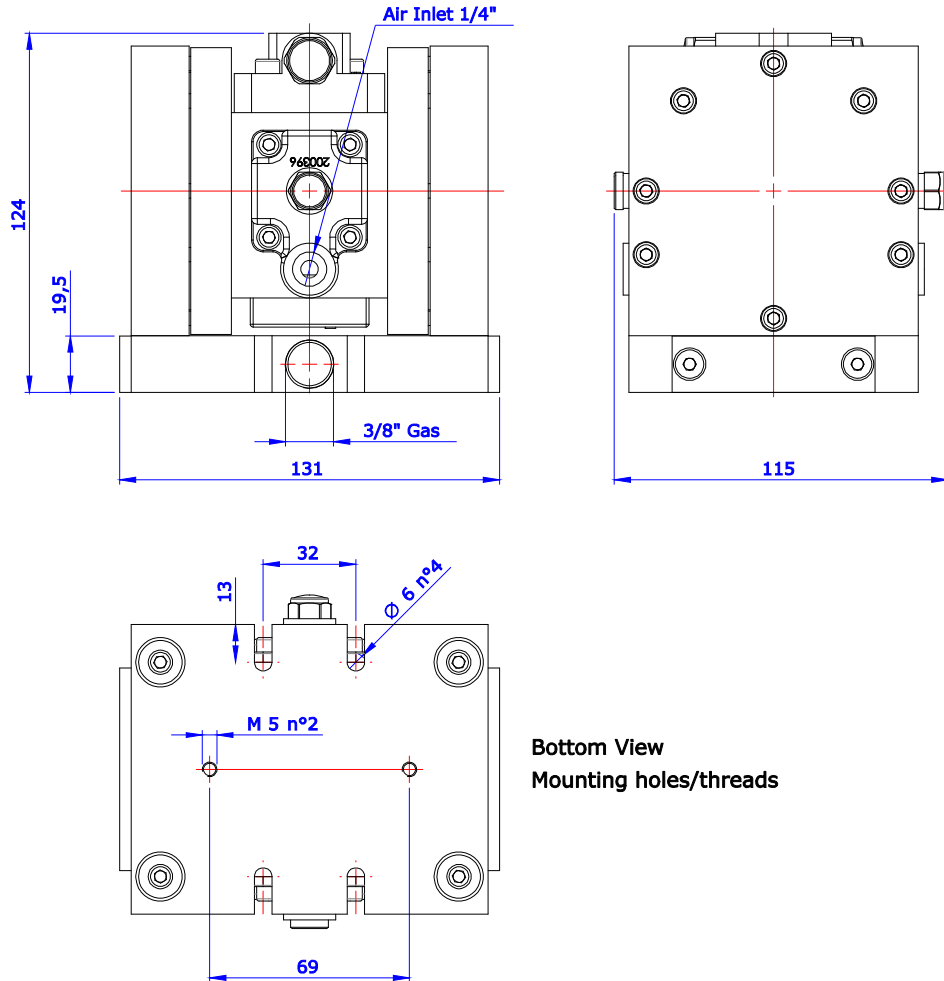
## PERFORMANCE



Per pompare 8 l/min ad una pressione di 3 bar, si richiedono di 5.5 bar di alimentazione con consumo d'aria di 8.5 Nm<sup>3</sup>/h.  
To pump 8 lpm against a discharge pressure head of 3 bar, requires 5.5 bar and 8.5 Nm<sup>3</sup>/h air consumption.



## DIMENSIONS



Bottom View  
Mounting holes/threads

# DN8 POLYPROPYLENE (3/8")



## PLUS

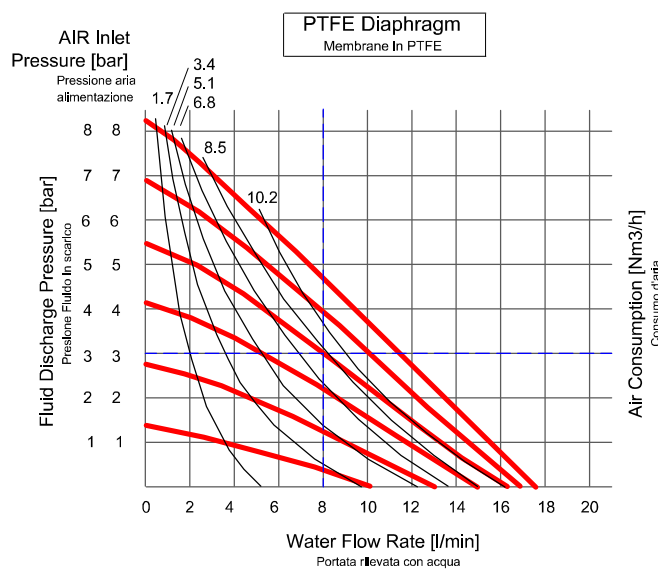
- Stainless Steel Screws
- Replaceable Inlet/Outlet valves
- Compact Design



## TECHNICAL DATA

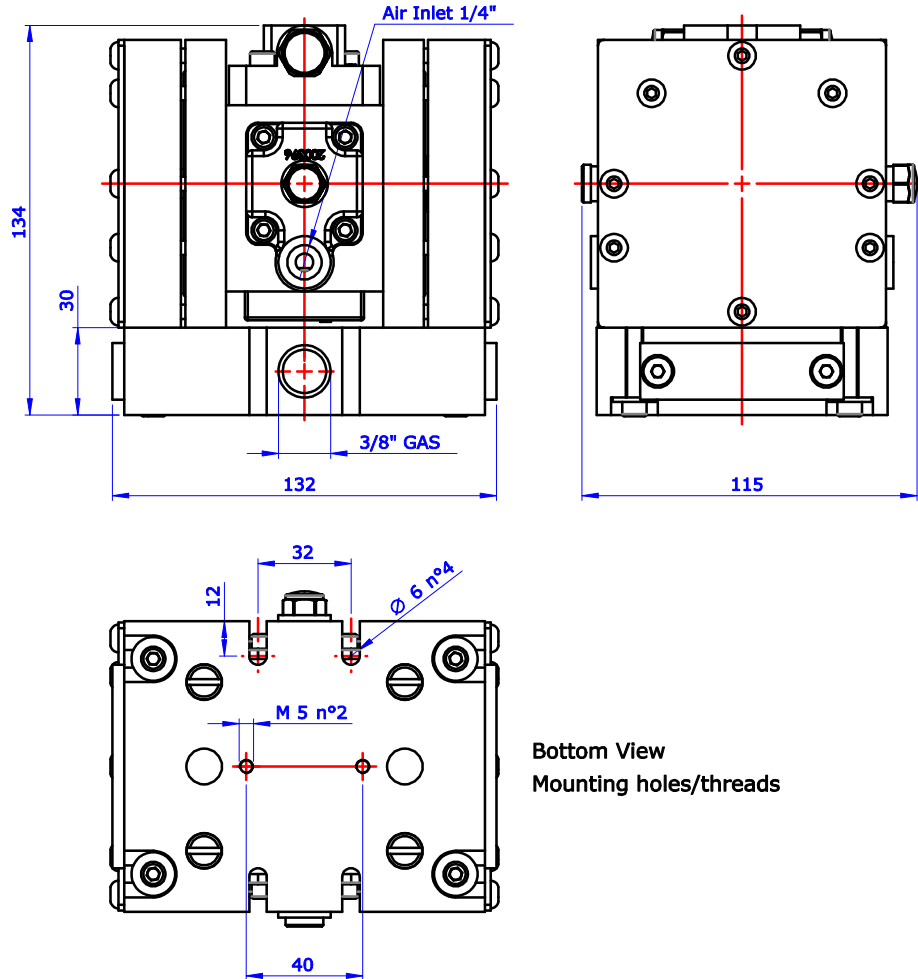
Adjustable Flow Rate	0÷16 l/min
Inlet/Outlet Ports	3/8" Gas Thread
Solids Max Size	1 mm
Max suction lift dry / wet	3,5 m / 5 m
Air Inlet	1/4" Gas
Air Supply Pressure (Min / Max)	1 / 6.8 bar
Weight	3,5 Kg
Noise Level	<78 dB [A]
Diaphragms, gaskets, valves	Configurable based on the fluid to process

## PERFORMANCE



Per pompare 8 l/min ad una pressione di 3 bar, si richiedono di 5.5 bar di alimentazione con consumo d'aria di 8.5 Nm<sup>3</sup>/h.  
To pump 8 lpm against a discharge pressure head of 3 bar, requires 5.5 bar and 8.5 Nm<sup>3</sup>/h air consumption.

## DIMENSIONS



Bottom View  
Mounting holes/threads

# DN12 ALUMINUM (1/2")



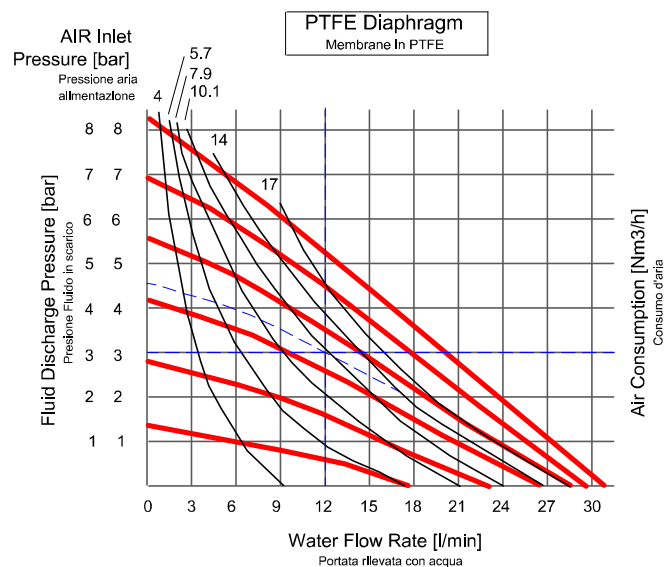
## PLUS

- Stainless Steel Screws
- Replaceable Inlet/Outlet valves
- Four Inlet and Four Outlet Ports for easier installations
- Air Treatment unit included

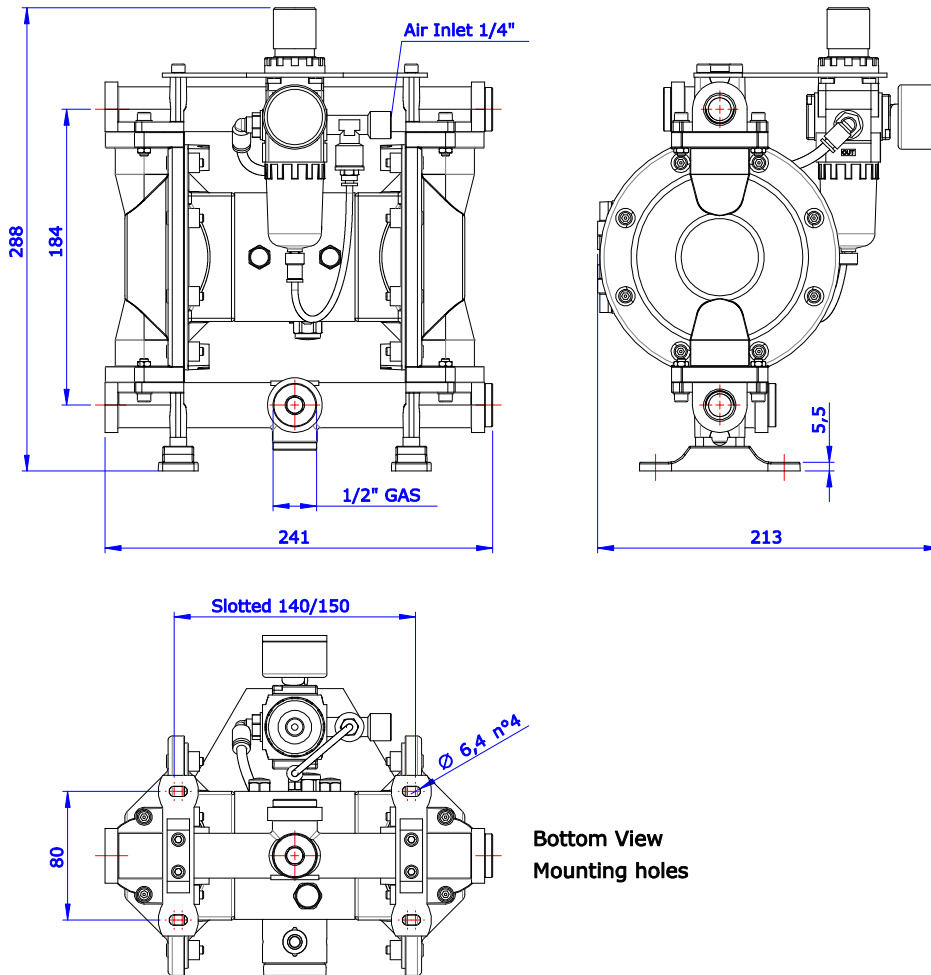


Adjustable Flow Rate  
Inlet/Outlet Ports  
Solids Max Size  
Max suction lift dry / wet  
Air Inlet  
Air Supply Pressure (Min / Max)  
Weight  
Noise Level  
Diaphragms, gaskets, valves

0÷28 l/min  
1/2" Gas Thread (4+4 Ports)  
3 mm  
4 / 7 m  
1/4" Gas  
1 / 6.8 bar  
5,6 Kg  
<78 dB [A]  
Configurable based on the fluid to process



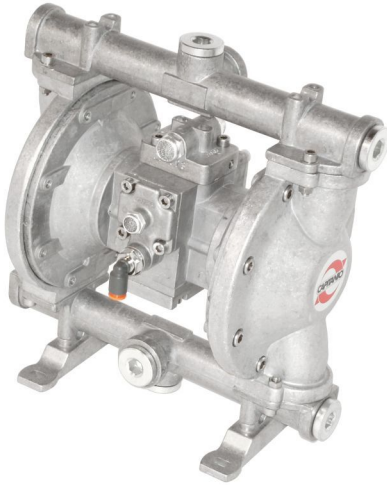
Per pompare 12 l/min ad una pressione di 3 bar, si richiedono di 4,6 bar di alimentazione con consumo d'aria di 14 Nm3/h.  
To pump 12 lpm against a discharge pressure head of 3 bar, requires 4.6 bar and 14 Nm3/h air consumption.



# DN15 ALUMINUM (1/2")

## PLUS

- Stainless Steel Screws
- Replaceable Inlet/Outlet valves
- Four Inlet and Four Outlet Ports for easier installations



## TECHNICAL DATA

Adjustable Flow Rate

Inlet/Outlet Ports

Solids Max Size

Max suction lift dry / wet

Air Inlet

Air Supply Pressure (Min / Max)

Weight

Noise Level

Diaphragms, gaskets, valves

0÷52 l/min

1/2" Gas Thread (4+4 Ports)

3 mm

4,5 / 7 m

1/4" Gas

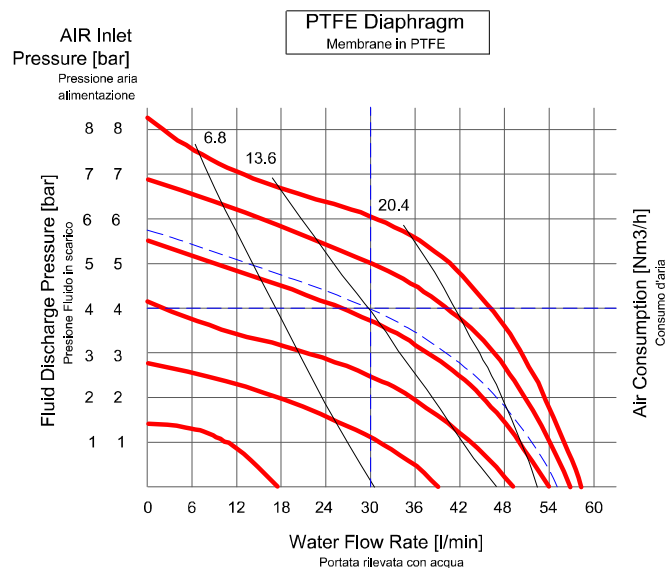
1 / 6.8 bar

4,5 Kg

<78 dB [A]

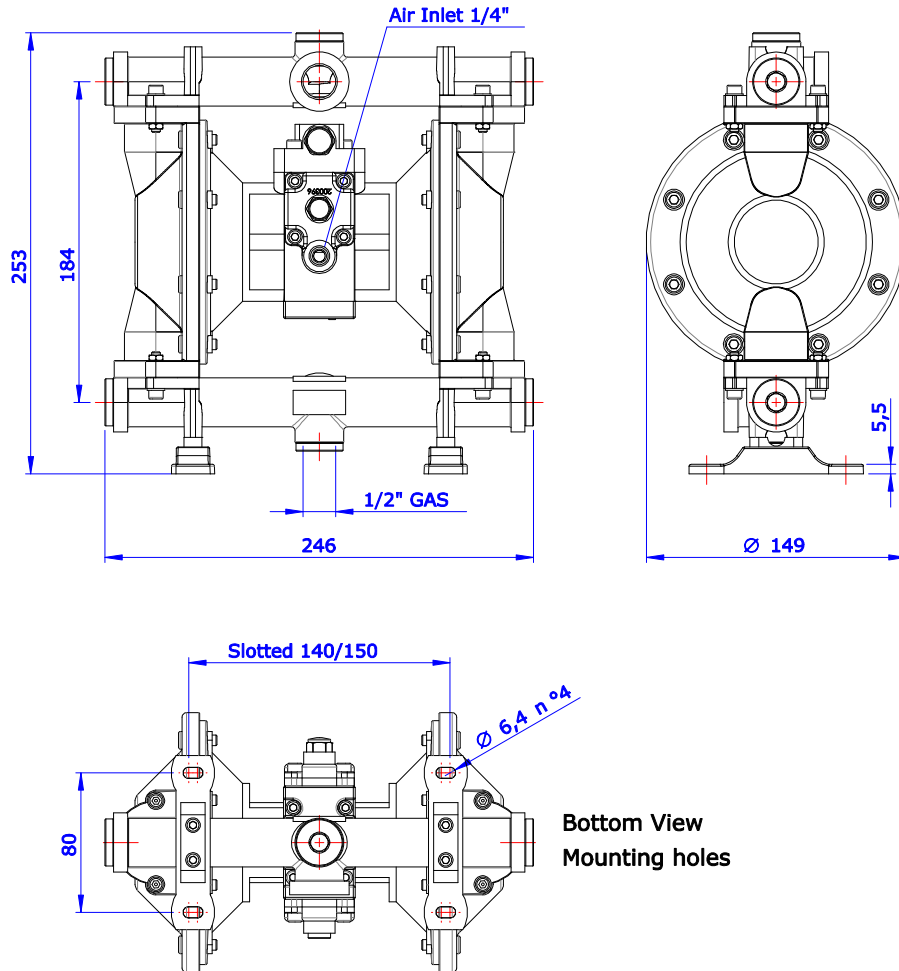
Configurable based on the fluid to process

## PERFORMANCE

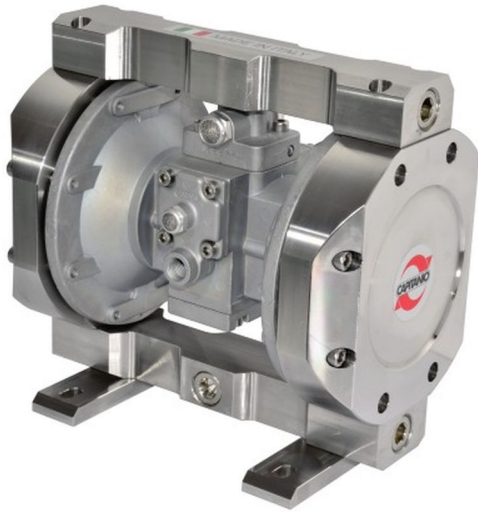


Per pompare 30 l/min ad una pressione di 4 bar, si richiedono di 5.7 bar di alimentazione con consumo d'aria di 13 Nm<sup>3</sup>/h.  
To pump 30 lpm against a discharge pressure head of 4 bar, requires 5.7 bar and 13 Nm<sup>3</sup>/h air consumption.

## DIMENSIONS



# DN15 STAINLESS STEEL (1/2")



## PLUS

- Wet parts in Stainless Steel AISI 304 or AISI 316
- Replaceable Inlet/Outlet valves
- Three Inlet and Four Outlet Ports for easier installations



## TECHNICAL DATA

Adjustable Flow Rate

Inlet/Outlet Ports

Solids Max Size

Max suction lift dry / wet

Air Inlet

Air Supply Pressure (Min / Max)

Weight

Noise Level

Diaphragms, gaskets, valves

0÷38 l/min

1/2" Gas Thread (4+4 Ports)

2 mm

4,5 / 7 m

1/4" Gas

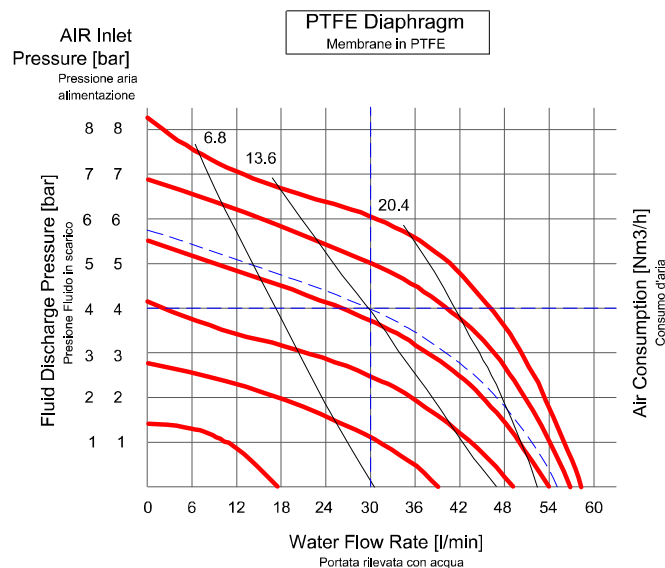
1 / 6.8 bar

13 Kg

<78 dB [A]

Configurable based on the fluid to process

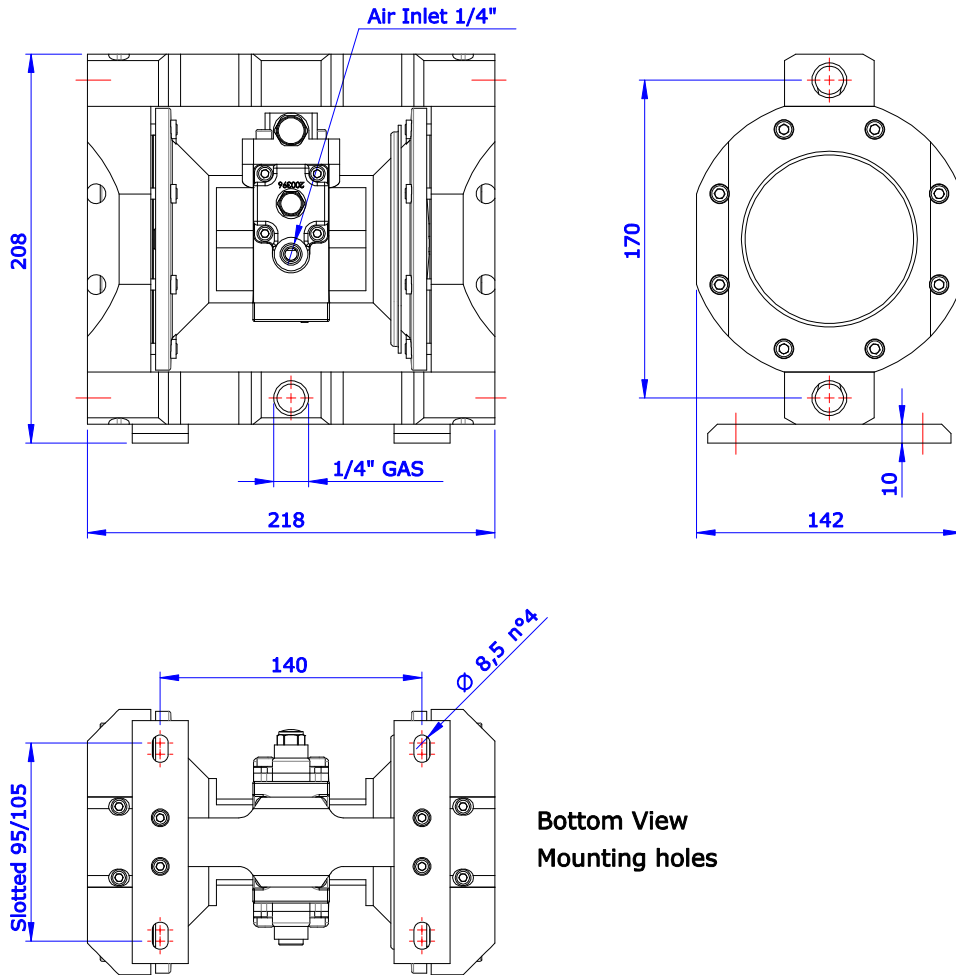
## PERFORMANCE



Per pompare 30 l/min ad una pressione di 4 bar, si richiedono di 5.7 bar di alimentazione con consumo d'aria di 13 Nm3/h.  
To pump 30 lpm against a discharge pressure head of 4 bar, requires 5.7 bar and 13 Nm3h air consumption.



## DIMENSIONS



# DN15 POLYPROPYLENE (1/2")



## PLUS

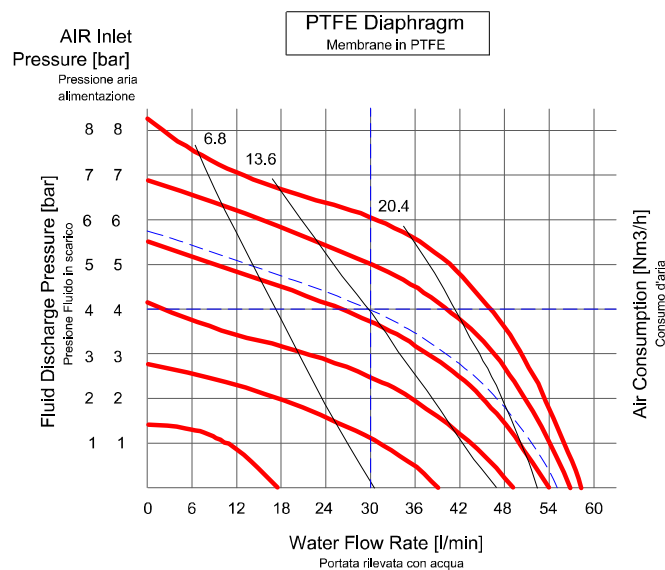
- Stainless Steel Screws
- Replaceable Inlet/Outlet valves
- 180° Rotatable Inlet/Outlet Ports



## TECHNICAL DATA

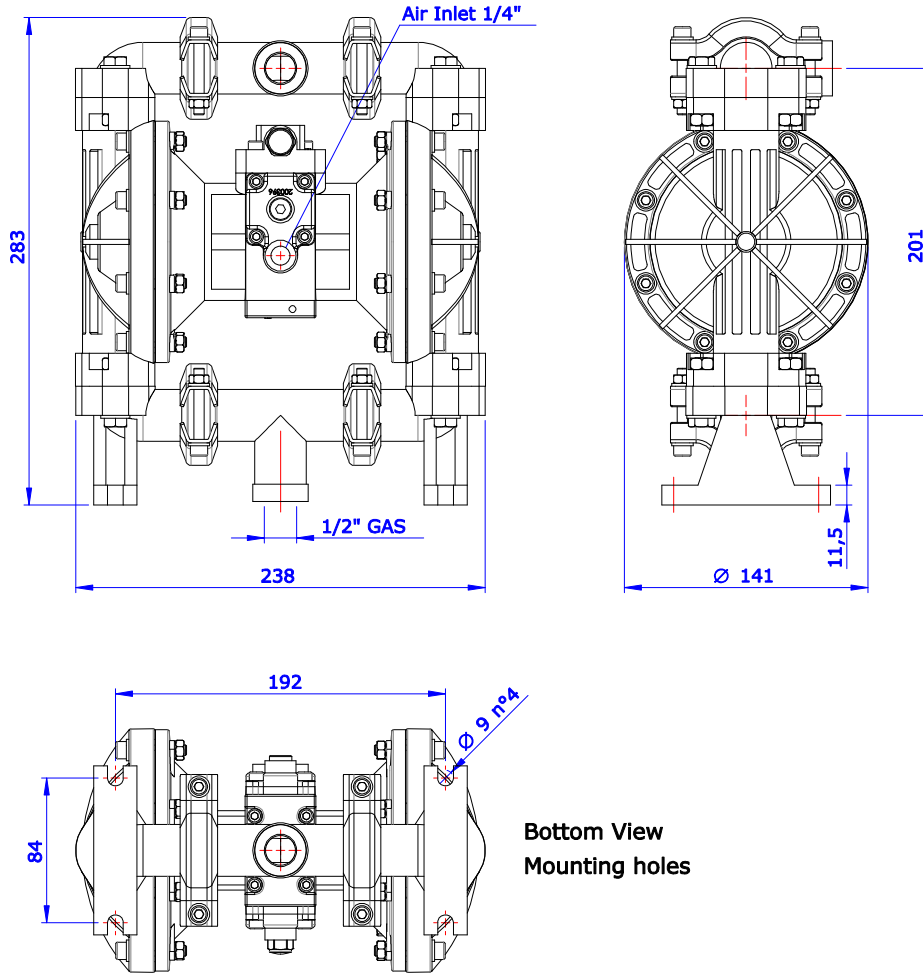
Adjustable Flow Rate	0÷52 l/min
Inlet/Outlet Ports	1/2" Gas Thread
Solids Max Size	3 mm
Max suction lift dry / wet	4,5 / 7 m
Air Inlet	1/4" Gas
Air Supply Pressure (Min / Max)	1 / 6.8 bar
Weight	5 Kg
Noise Level	<78 dB [A]
Diaphragms, gaskets, valves	Configurable based on the fluid to process

## PERFORMANCE



Per pompare 30 l/min ad una pressione di 4 bar, si richiedono di 5.7 bar di alimentazione con consumo d'aria di 13 Nm3/h.  
To pump 30 lpm against a discharge pressure head of 4 bar, requires 5.7 bar and 13 Nm3/h air consumption.

## DIMENSIONS



# DN15 PVDF (1/2")



## PLUS

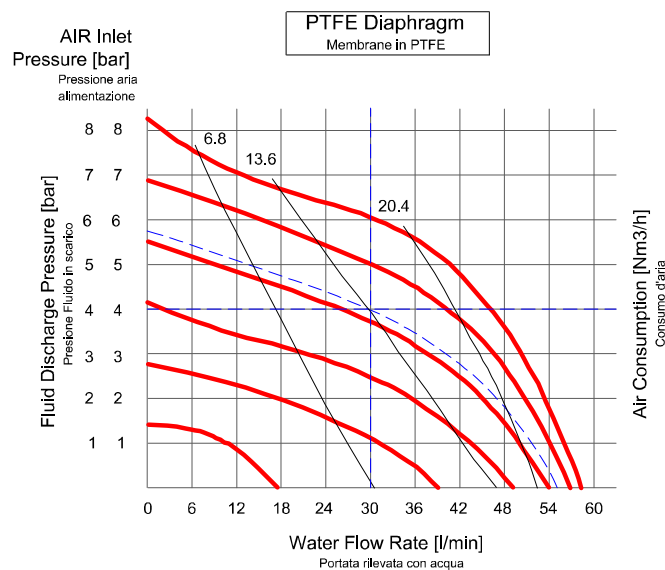
- Stainless Steel Screws
- Replaceable Inlet/Outlet valves
- 180° Rotatable Inlet/Outlet Ports



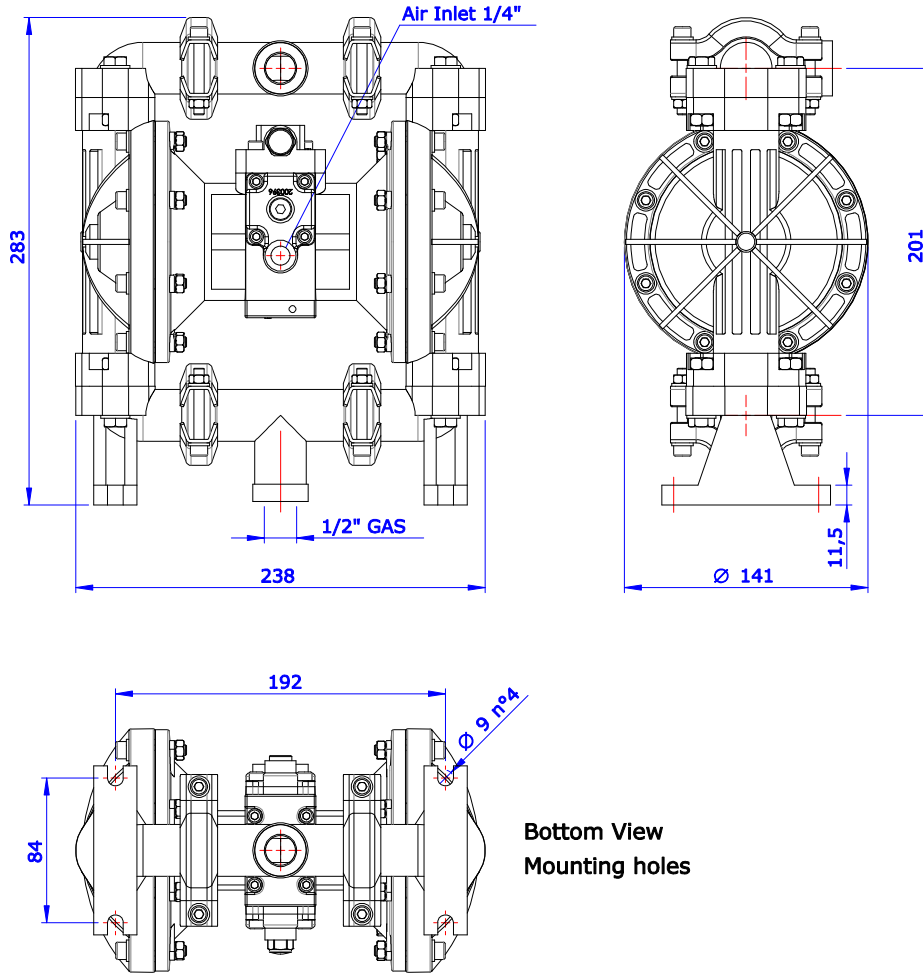
## TECHINCAL DATA

Adjustable Flow Rate	0÷52 l/min
Inlet/Outlet Ports	1/2" Gas Thread
Solids Max Size	3 mm
Max suction lift dry / wet	4,5 / 7 m
Air Inlet	1/4" Gas
Air Supply Pressure (Min / Max)	1 / 6.8 bar
Weight	5,5 Kg
Noise Level	<78 dB [A]
Diaphragms, gaskets, valves	Configurable based on the fluid to process

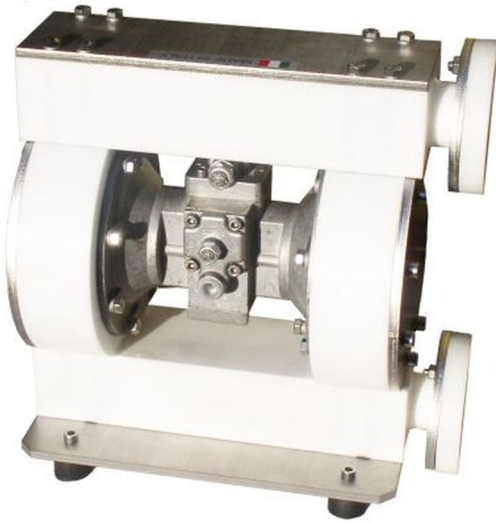
## PERFORMANCE



## DIMENSIONS



# DN15 PTFE (1/2")



## PLUS

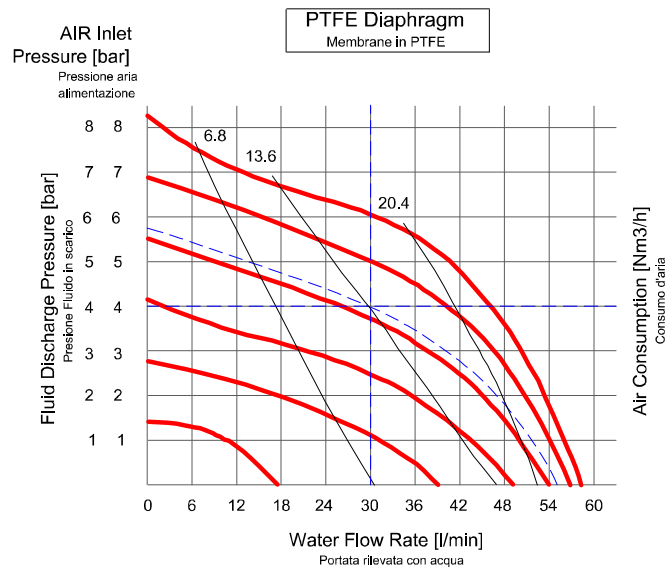
- Fluid Side entirely in PTFE
- Stainless Steel Screws



## TECHNICAL DATA

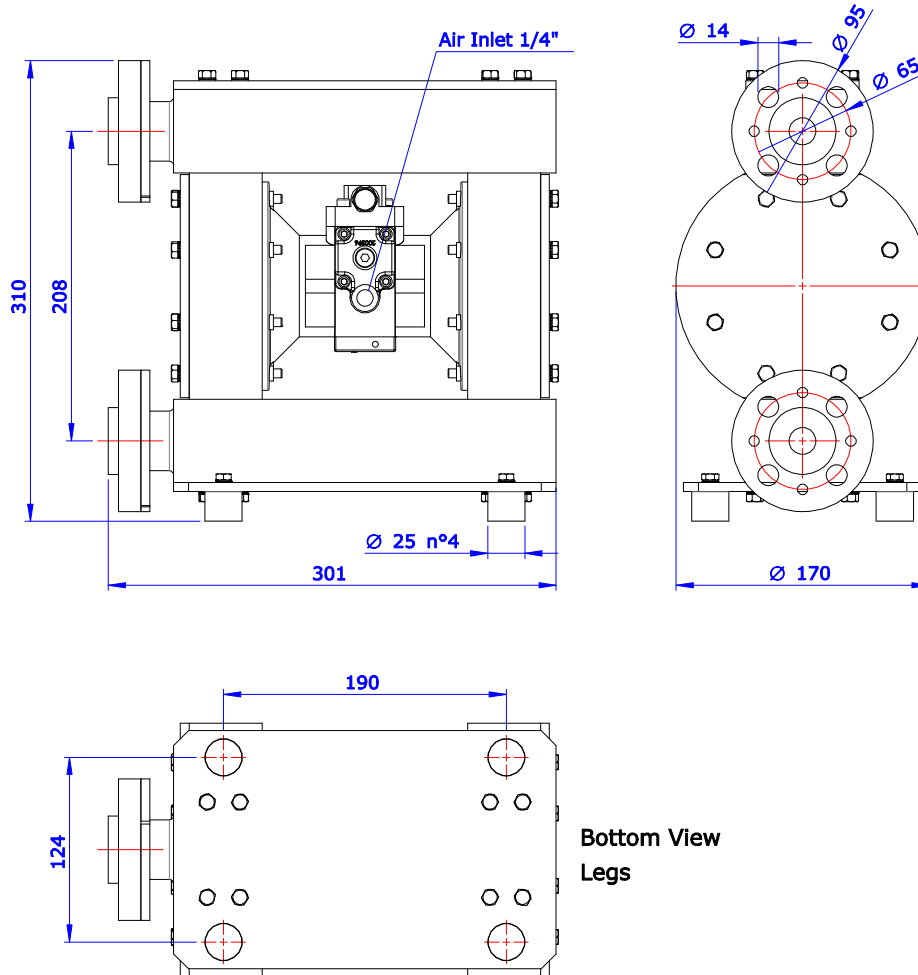
Adjustable Flow Rate	0÷52 l/min
Inlet/Outlet Ports	1/2" DIN Flange
Solids Max Size	3 mm
Max suction lift dry / wet	4,5 / 7 m
Air Inlet	1/4" Gas
Air Supply Pressure (Min / Max)	1 / 6.8 bar
Weight	17 Kg
Noise Level	<78 dB [A]
Diaphragms, gaskets, valves	PTFE

## PERFORMANCE



Per pompare 30 l/min ad una pressione di 4 bar, si richiedono di 5.7 bar di alimentazione con consumo d'aria di 13 Nm3/h.  
To pump 30 lpm against a discharge pressure head of 4 bar, requires 5.7 bar and 13 Nm3/h air consumption.

## DIMENSIONS



# DN20 ALUMINUM (3/4")



## PLUS

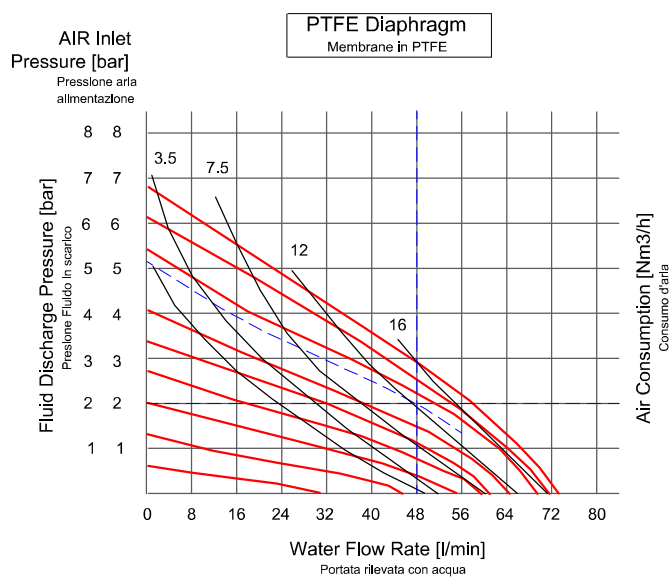
- Stainless Steel Screws
- Replaceable Inlet/Outlet valves
- Three Inlet and Three Outlet Ports for easier installations



## TECHNICAL DATA

Adjustable Flow Rate	0÷72 l/min
Inlet/Outlet Ports	3/4" Gas Thread
Solids Max Size	3 mm
Max suction lift dry / wet	4,8 / 7,5 m
Air Inlet	1/4" Gas
Air Supply Pressure (Min / Max)	1 / 6.8 bar
Weight	8,5 Kg
Noise Level	<78 dB [A]
Diaphragms, gaskets, valves	Configurable based on the fluid to process

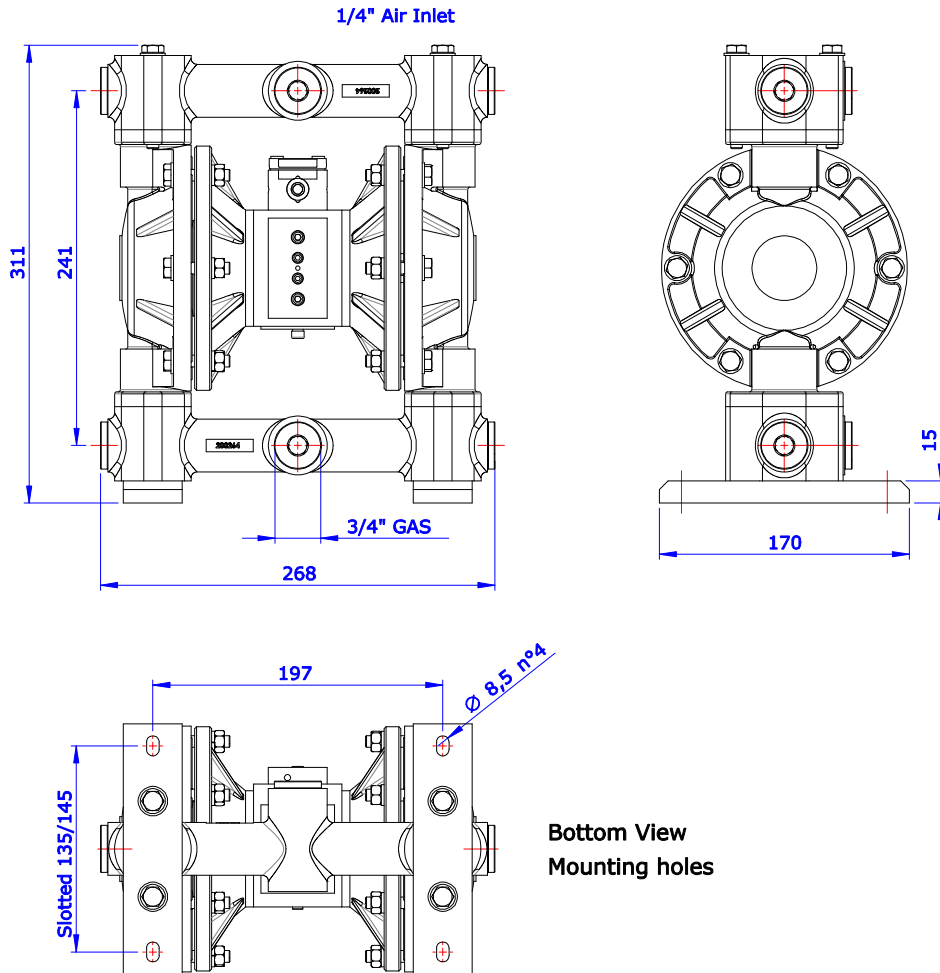
## PERFORMANCE



Per pompare 48 l/min ad una pressione di 2 bar, si richiedono di 5.1 bar di alimentazione con consumo d'aria di 12 Nm3/h.  
To pump 48 lpm against a discharge pressure head of 2 bar, requires 5.1 bar and 12 Nm3/h air consumption.



## DIMENSIONS



# DN20 POLYPROPYLENE

## PLUS

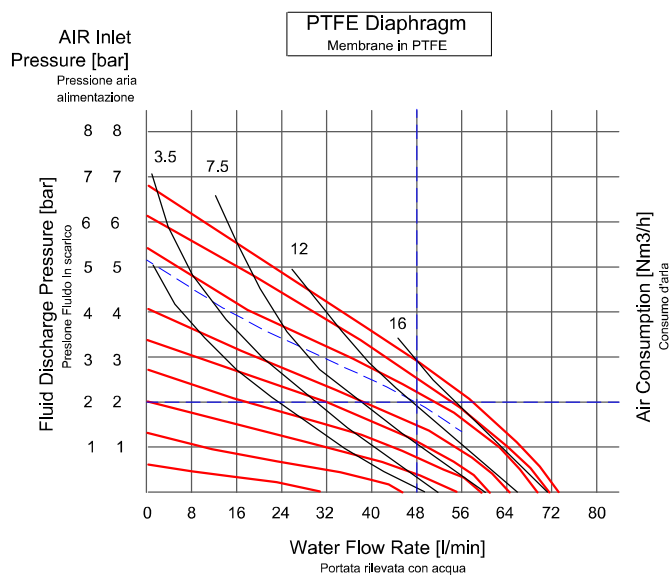
- Stainless Steel Screws
- Replaceable Inlet/Outlet valves
- Three Inlet and Three Outlet Ports for easier installations
- Sturdy design, machined from solid



## TECHNICAL DATA

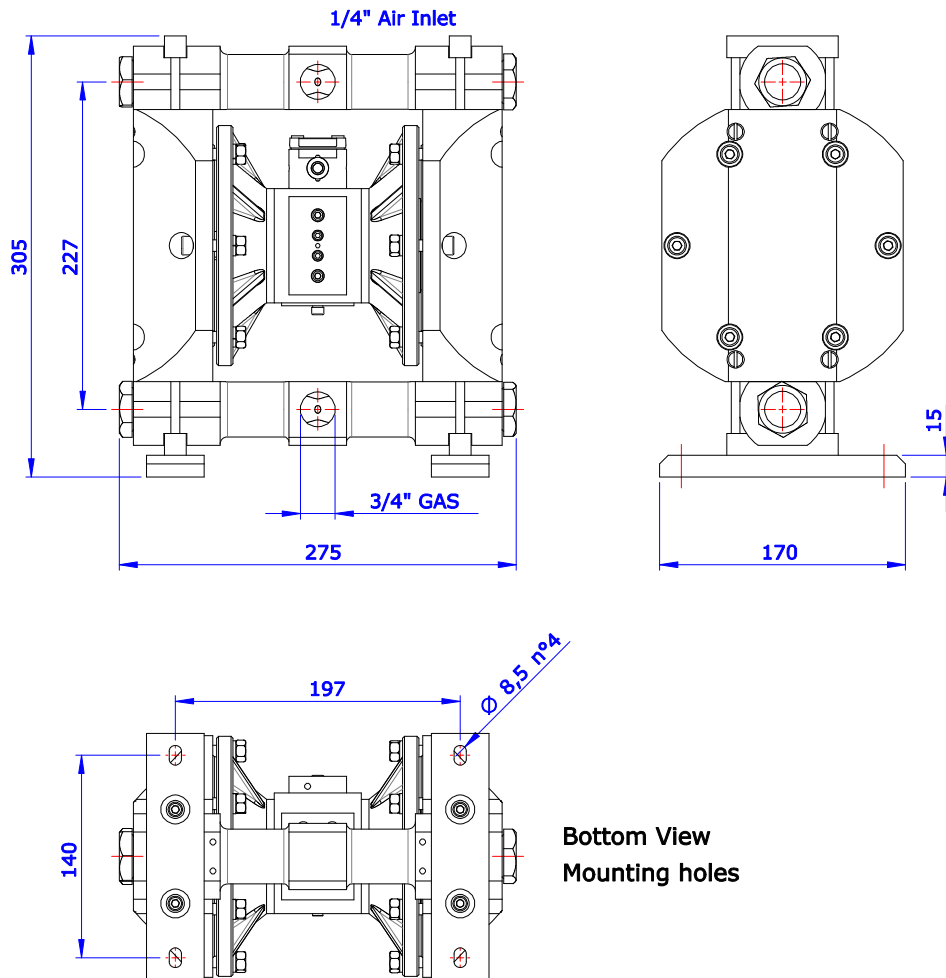
Adjustable Flow Rate	0÷72 l/min
Inlet/Outlet Ports	3/4" Gas Thread
Solids Max Size	3 mm
Max suction lift dry / wet	4,8 / 7,5 m
Air Inlet	1/4" Gas
Air Supply Pressure (Min / Max)	1 / 6.8 bar
Weight	7,5 Kg
Noise Level	<78 dB [A]
Diaphragms, gaskets, valves	Configurable based on the fluid to process

## PERFORMANCE



Per pompare 48 l/min ad una pressione di 2 bar, si richiedono di 5.1 bar di alimentazione con consumo d'aria di 12 Nm<sup>3</sup>/h.  
To pump 48 lpm against a discharge pressure head of 2 bar, requires 5.1 bar and 12 Nm<sup>3</sup>/h air consumption.

## DIMENSIONS



# DN20 POLYETHYLENE(3/4")



## PLUS

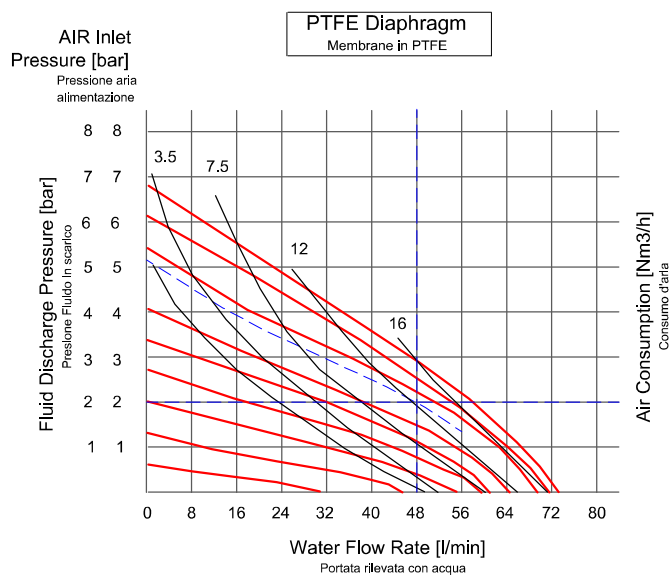
- Stainless Steel Screws
- Replaceable Inlet/Outlet valves
- Three Inlet and Three Outlet Ports for easier installations
- Sturdy design, machined from solid



## TECHINCAL DATA

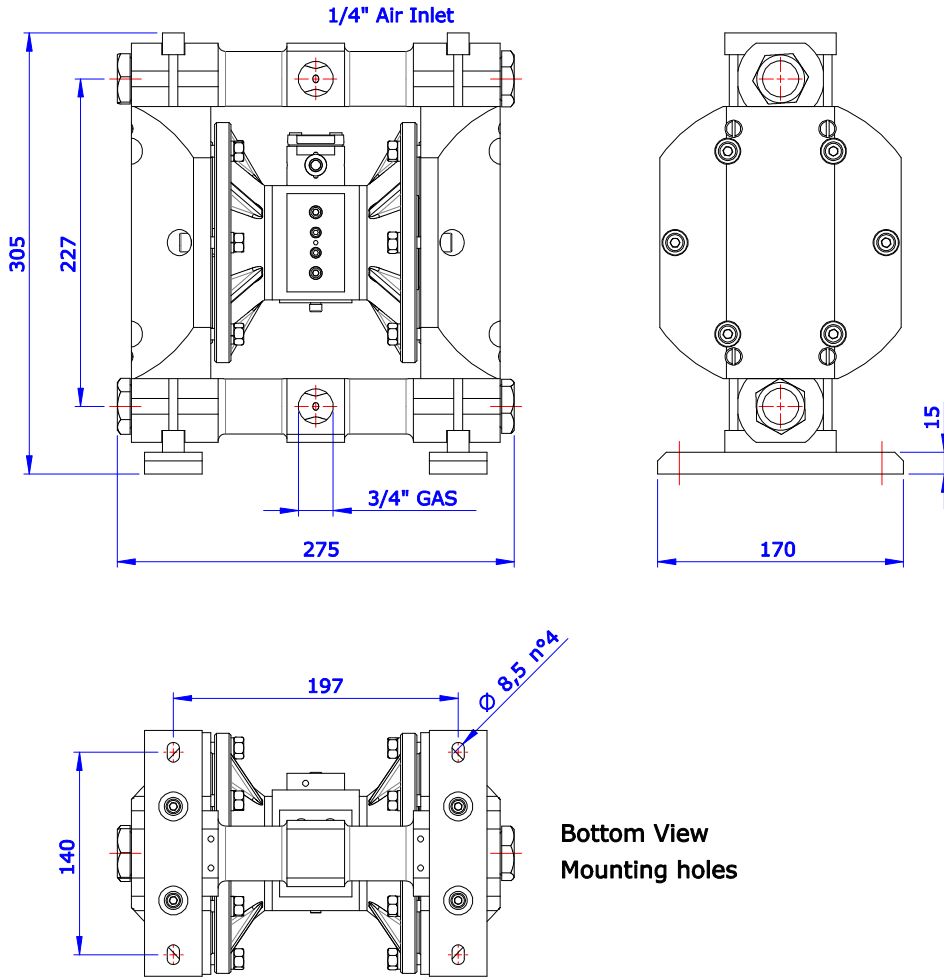
Adjustable Flow Rate	0÷72 l/min
Inlet/Outlet Ports	3/4" Gas Thread
Solids Max Size	3 mm
Max suction lift dry / wet	4,8 / 7,5 m
Air Inlet	1/4" Gas
Air Supply Pressure (Min / Max)	1 / 6.8 bar
Weight	7,5 Kg
Noise Level	<78 dB [A]
Diaphragms, gaskets, valves	Configurable based on the fluid to process

## PERFORMANCE



Per pompare 48 l/min ad una pressione di 2 bar, si richiedono di 5.1 bar di alimentazione con consumo d'aria di 12 Nm3/h.  
To pump 48 lpm against a discharge pressure head of 2 bar, requires 5.1 bar and 12 Nm3/h air consumption.

## DIMENSIONS



# DN25 ALUMINUM (1")



## PLUS

- Stainless Steel Screws
- Replaceable Inlet/Outlet valves
- Three Inlet and Three Outlet Ports for easier installations



## TECHINCAL DATA

Adjustable Flow Rate

0÷120 l/min (PTFE Diaphragms)

0÷140 l/min (EPDM Diaphragms)

Inlet/Outlet Ports

1" Gas Thread (3+3)

Solids Max Size

5 mm

Max suction lift dry / wet

4 / 7 m

Air Inlet

3/8" Gas

Air Supply Pressure (Min / Max)

1 / 6.8 bar

Weight

11 Kg

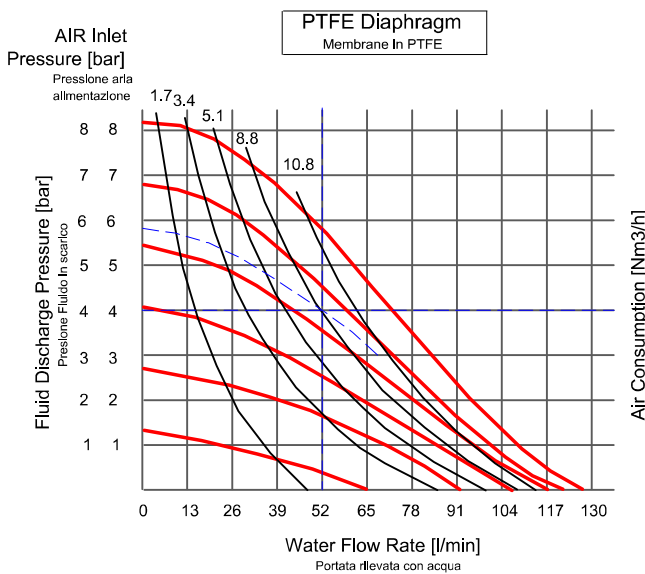
Noise Level

<78 dB [A]

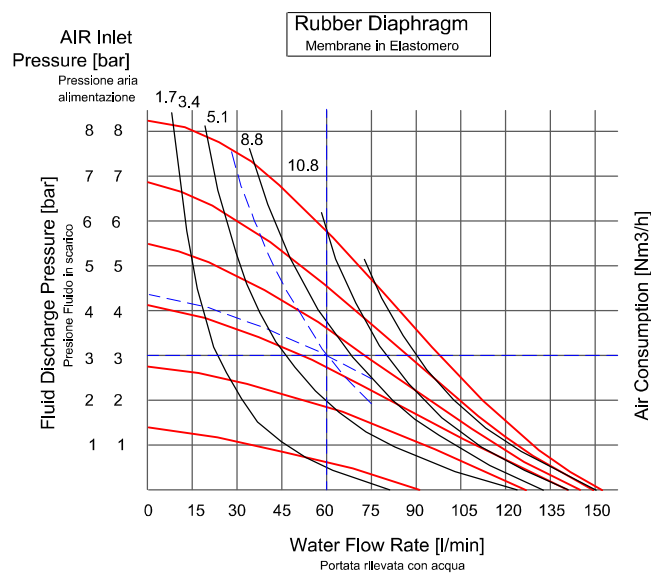
Diaphragms, gaskets, valves

Configurable based on the fluid to process

## PERFORMANCE

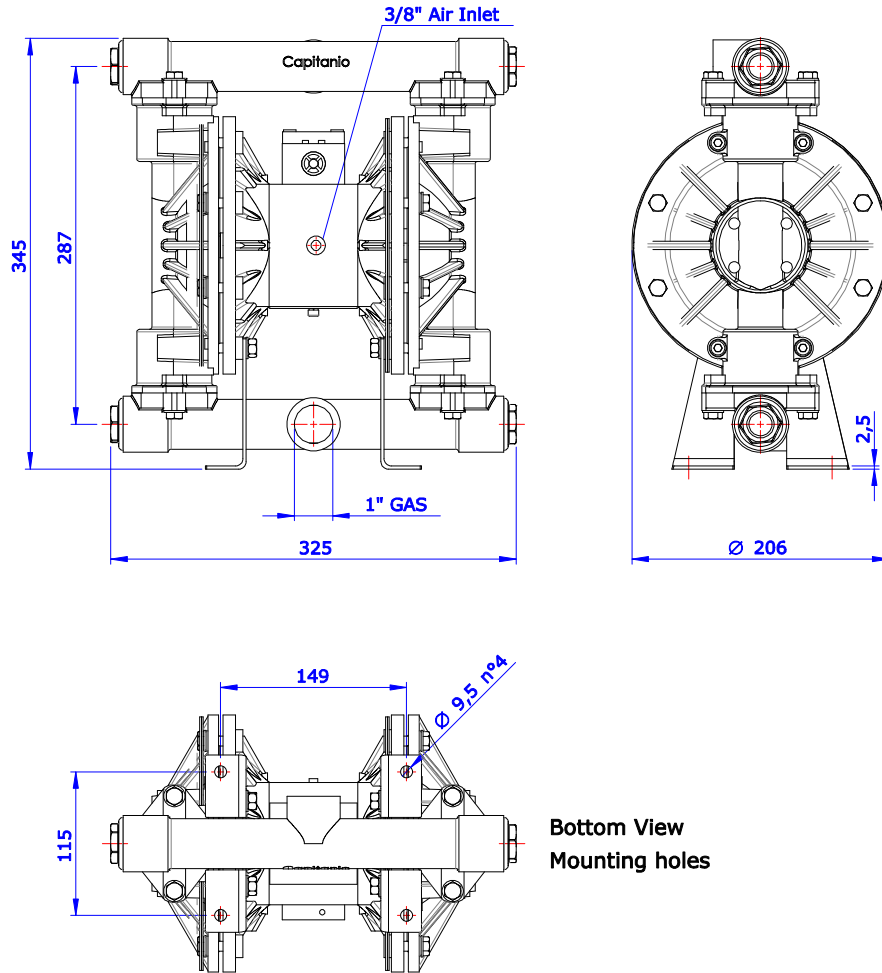


Per pompare 52 l/min ad una pressione di 4 bar, si richiedono di 5.8 bar di alimentazione con consumo d'aria di 68 Nm3/h  
To pump 52 lpm against a discharge pressure head of 4 bar, requires 5.8 bar and 68 Nm3/h air consumption.



Per pompare 60 l/min ad una pressione di 3 bar, si richiedono di 4.3 bar di alimentazione con consumo d'aria di 45 Nm3/h  
To pump 60 lpm against a discharge pressure head of 3 bar, requires 4.3 bar and 45 Nm3/h air consumption.

## DIMENSIONS



Bottom View  
Mounting holes

# DN25 POLYPROPYLENE (1")



## PLUS

- Stainless Steel Screws
- Replaceable Inlet/Outlet valves
- Three Inlet and Three Outlet Ports for easier installations
- Sturdy design, machined from solid



## TECHINCAL DATA

Adjustable Flow Rate

0÷120 l/min (PTFE Diaphragms)

0÷140 l/min (EPDM Diaphragms)

Inlet/Outlet Ports

1" Gas Thread (3+3)

Solids Max Size

5 mm

Max suction lift dry / wet

4 / 7 m

Air Inlet

3/8" Gas

Air Supply Pressure (Min / Max)

1 / 6.8 bar

Weight

13,5 Kg

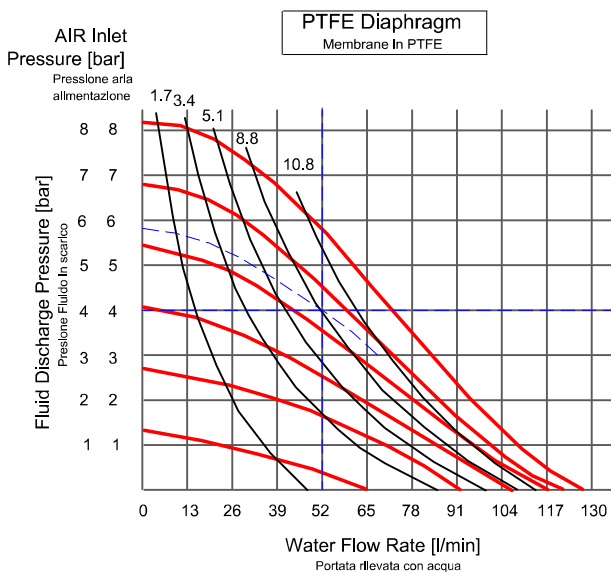
Noise Level

<78 dB [A]

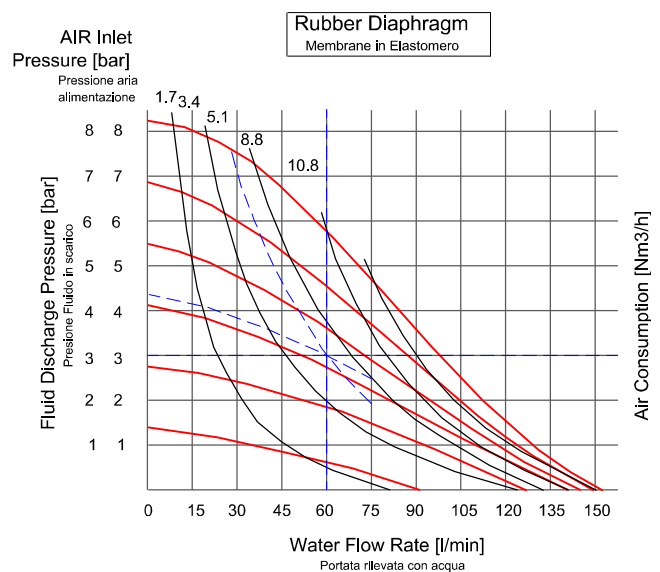
Diaphragms, gaskets, valves

Configurable based on the fluid to process

## PERFORMANCE



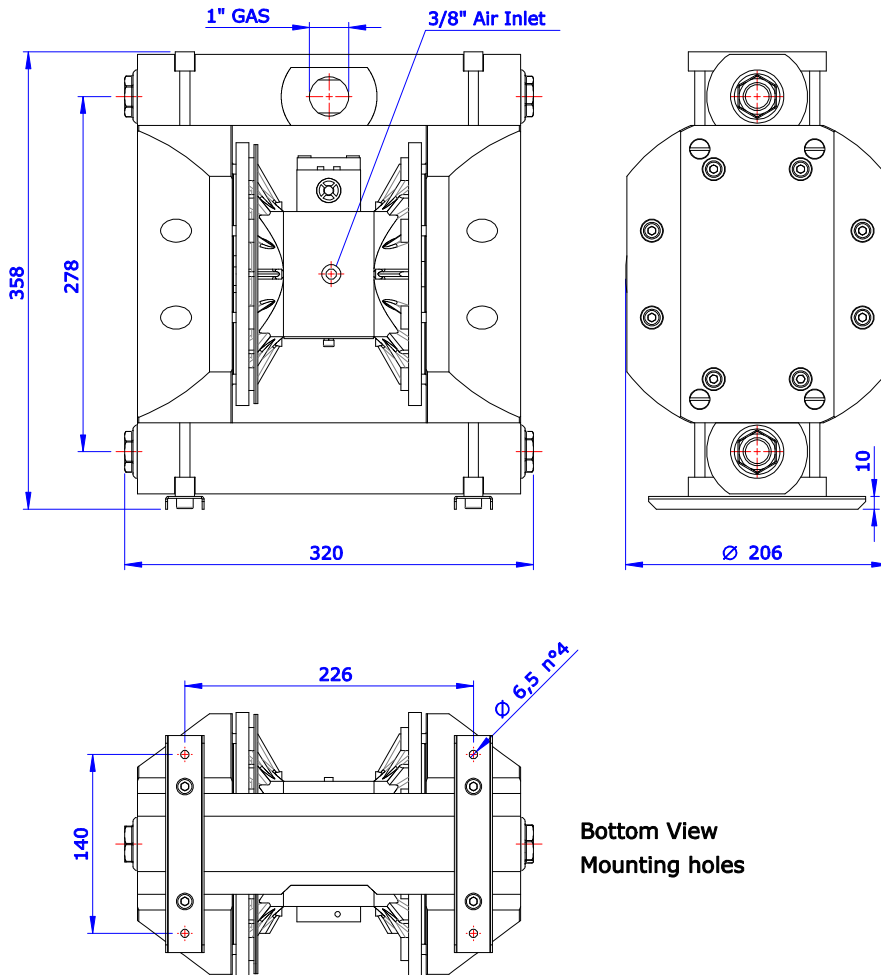
Per pompare 52 l/min ad una pressione di 4 bar, si richiedono di 5.8 bar di alimentazione con consumo d'aria di 8.8 Nm3/h  
To pump 52 lpm against a discharge pressure head of 4 bar, requires 5.8 bar and 8.8 Nm3/h air consumption.



Per pompare 60 l/min ad una pressione di 3 bar, si richiedono di 4.3 bar di alimentazione con consumo d'aria di 8.8 Nm3/h  
To pump 60 lpm against a discharge pressure head of 3 bar, requires 4.3 bar and 45 Nm3/h air consumption.



## DIMENSIONS



# DN25 PTFE (1")



## PLUS

- Fluid Side entirely in PTFE
- Stainless Steel Screws



## TECHNICAL DATA

Adjustable Flow Rate

0÷120 l/min (PTFE Diaphragms)

0÷140 l/min (EPDM Diaphragms)

Inlet/Outlet Ports

1" DIN Flange

Solids Max Size

5 mm

Max suction lift dry / wet

4 / 7 m

Air Inlet

3/8" Gas

Air Supply Pressure (Min / Max)

1 / 6.8 bar

Weight

26,5 Kg

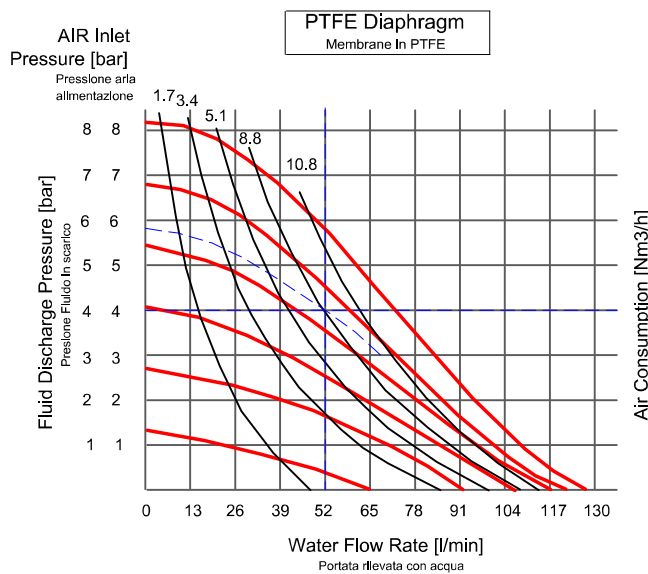
Noise Level

<78 dB [A]

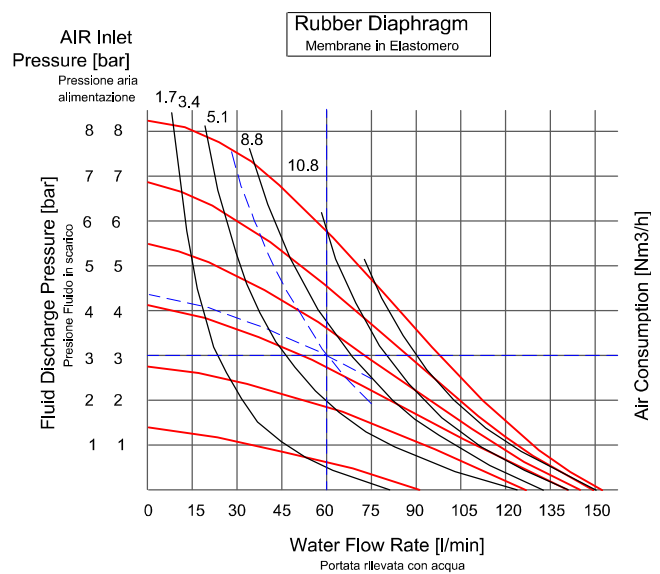
Diaphragms, gaskets, valves

Configurable based on the fluid to process

## PERFORMANCE

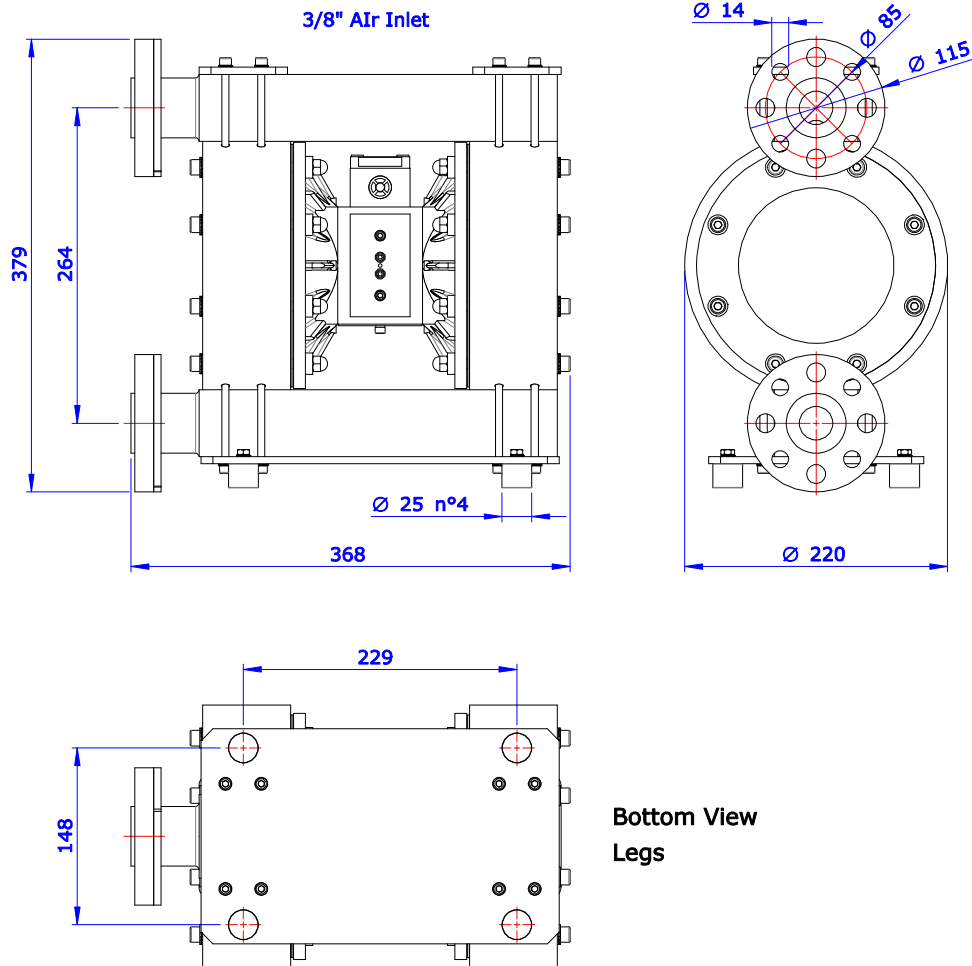


Per pompare 52 l/min ad una pressione di 4 bar, si richiedono di 5.8 bar di alimentazione con consumo d'aria di 68 Nm3/h  
To pump 52 lpm against a discharge pressure head of 4 bar, requires 5.8 bar and 68 Nm3/h air consumption.



Per pompare 60 l/min ad una pressione di 3 bar, si richiedono di 4.3 bar di alimentazione con consumo d'aria di 45 Nm3/h  
To pump 60 lpm against a discharge pressure head of 3 bar, requires 4.3 bar and 45 Nm3/h air consumption.

## DIMENSIONS



# DN28 POLYPROPYLENE (1")

## PLUS

- Stainless Steel Screws
- Replaceable Inlet/Outlet valves
- 180° Rotatable Inlet/Outlet Ports



## TECHNICAL DATA

Adjustable Flow Rate

0÷120 l/min (PTFE Diaphragms)

0÷140 l/min (EPDM Diaphragms)

Inlet/Outlet Ports

1" Gas Thread

Solids Max Size

5 mm

Max suction lift dry / wet

4 / 7 m

Air Inlet

3/8" Gas

Air Supply Pressure (Min / Max)

1 / 6.8 bar

Weight

12,5 Kg

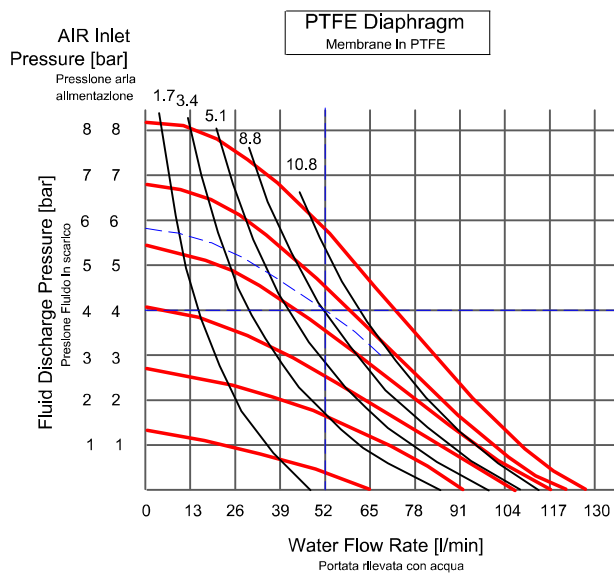
Noise Level

<78 dB [A]

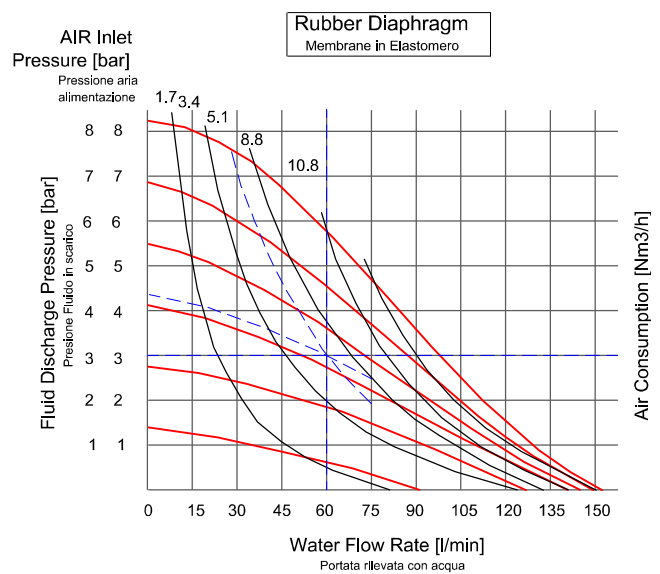
Diaphragms, gaskets, valves

Configurable based on the fluid to process

## PERFORMANCE

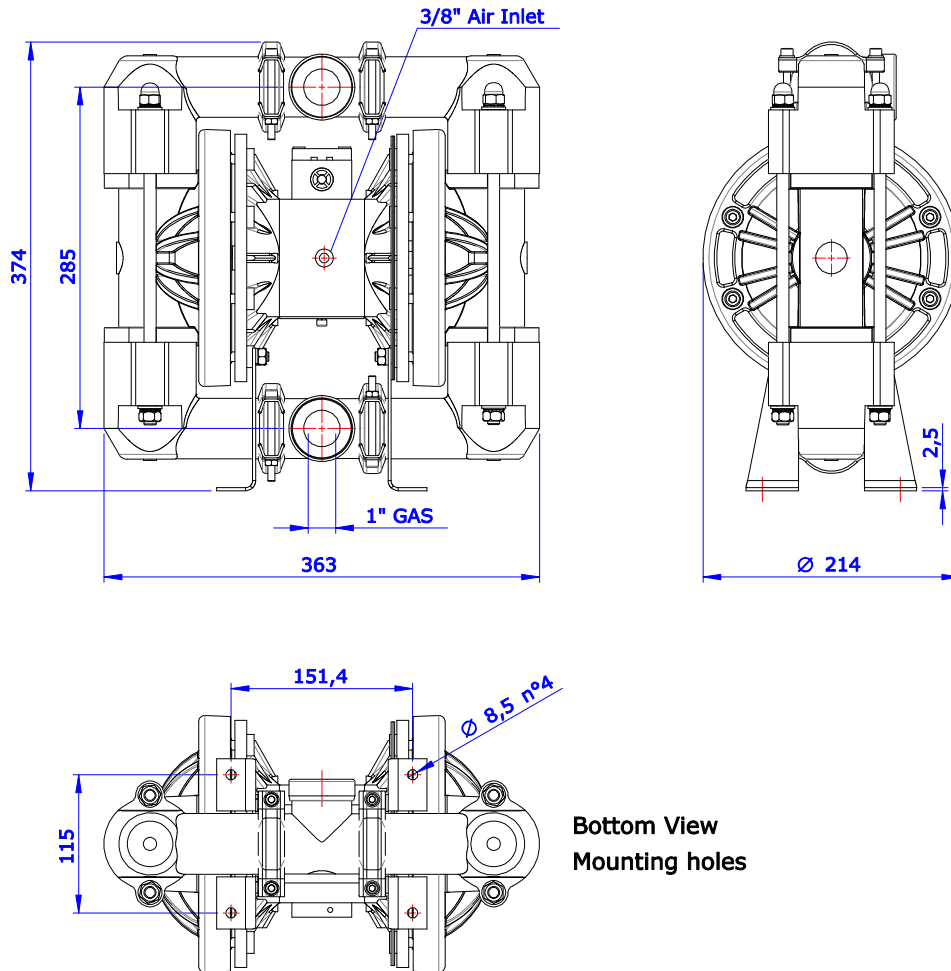


Per pompare 52 l/min ad una pressione di 4 bar, si richiedono di 5.8 bar di alimentazione con consumo d'aria di 68 Nm<sup>3</sup>/h  
To pump 52 lpm against a discharge pressure head of 4 bar, requires 5.8 bar and 68 Nm<sup>3</sup>/h air consumption.



Per pompare 60 l/min ad una pressione di 3 bar, si richiedono di 4.3 bar di alimentazione con consumo d'aria di 45 Nm<sup>3</sup>/h  
To pump 60 lpm against a discharge pressure head of 3 bar, requires 4.3 bar and 45 Nm<sup>3</sup>/h air consumption.

## DIMENSIONS



Bottom View  
Mounting holes

# DN28 PVDF (1")

## PLUS

- Stainless Steel Screws
- Replaceable Inlet/Outlet valves
- 180° Rotatable Inlet/Outlet Ports



## TECHINCAL DATA

Adjustable Flow Rate

Inlet/Outlet Ports

Solids Max Size

Max suction lift dry / wet

Air Inlet

Air Supply Pressure (Min / Max)

Weight

Noise Level

Diaphragms, gaskets, valves

0÷120 l/min (PTFE Diaphragms)

0÷140 l/min (EPDM Diaphragms)

1" Gas Thread

5 mm

4 / 7 m

3/8" Gas

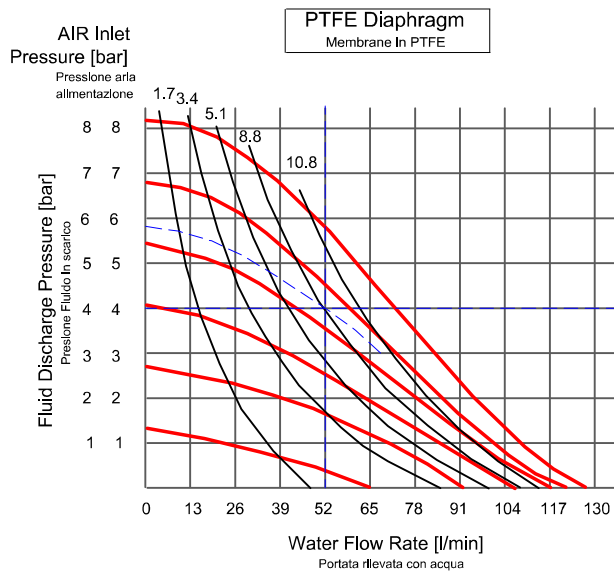
1 / 6.8 bar

12,5 Kg

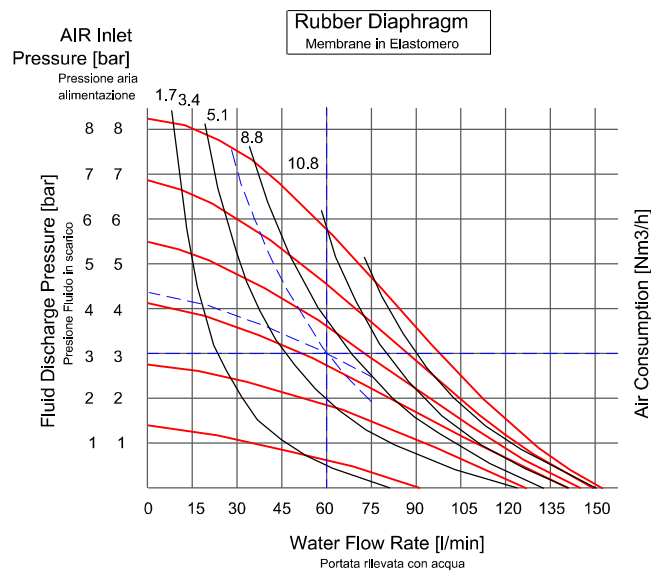
<78 dB [A]

Configurable based on the fluid to process

## PERFORMANCE

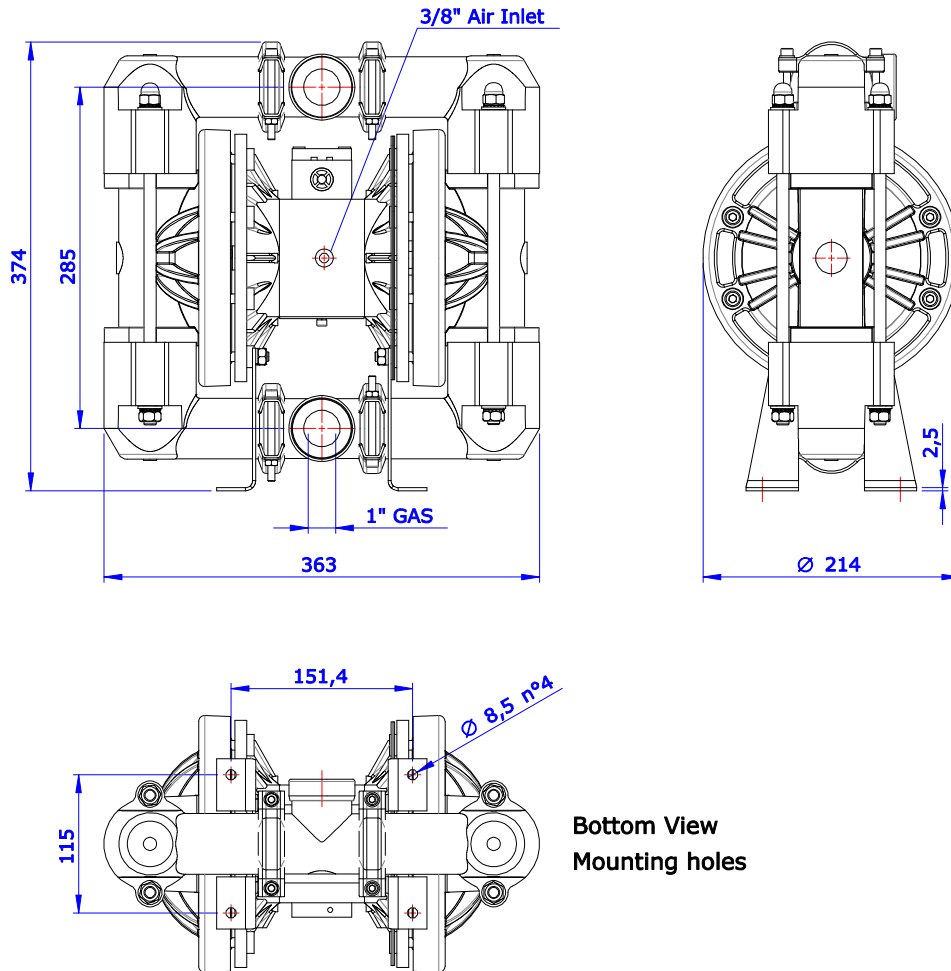


Per pompare 52 l/min ad una pressione di 4 bar, si richiedono di 5.8 bar di alimentazione con consumo d'aria di 68 Nm3/h  
To pump 52 lpm against a discharge pressure head of 4 bar, requires 5.8 bar and 68 Nm3/h air consumption.



Per pompare 60 l/min ad una pressione di 3 bar, si richiedono di 4.3 bar di alimentazione con consumo d'aria di 45 Nm3/h  
To pump 60 lpm against a discharge pressure head of 3 bar, requires 4.3 bar and 45 Nm3/h air consumption.

## DIMENSIONS



Bottom View  
Mounting holes

# DN40 ALUMINUM (1" 1/2")

## PLUS

- Stainless Steel Screws
- Replaceable Inlet/Outlet valves



## TECHINCAL DATA

Adjustable Flow Rate

Inlet/Outlet Ports

Solids Max Size

Max suction lift dry / wet

Air Inlet

Air Supply Pressure (Min / Max)

Weight

Noise Level

Diaphragms, gaskets, valves

0÷320 l/min (PTFE Diaphragms)

0÷416 l/min (EPDM Diaphragms)

1" 1/2" Gas Thread

8 mm

3,8 / 9,5 m

3/8" Gas

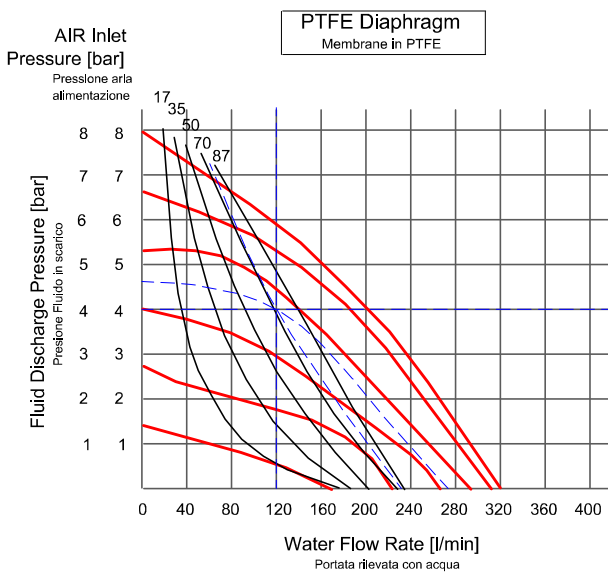
1 / 6.8 bar

23,5 Kg

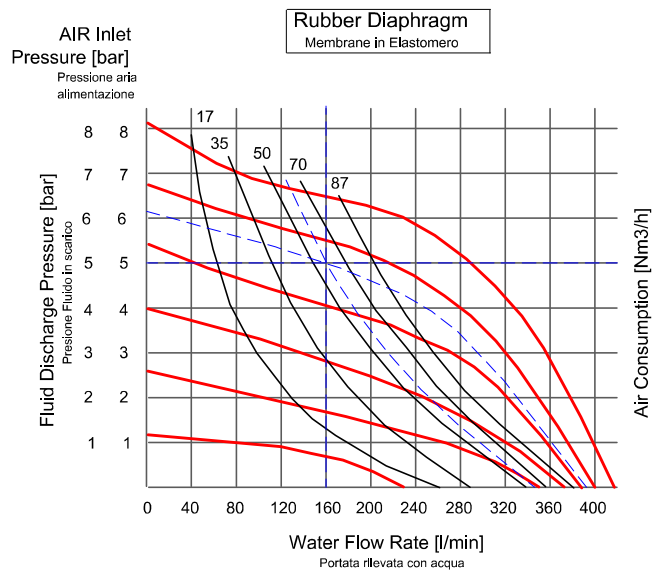
<78 dB [A]

Configurable based on the fluid to process

## PERFORMANCE



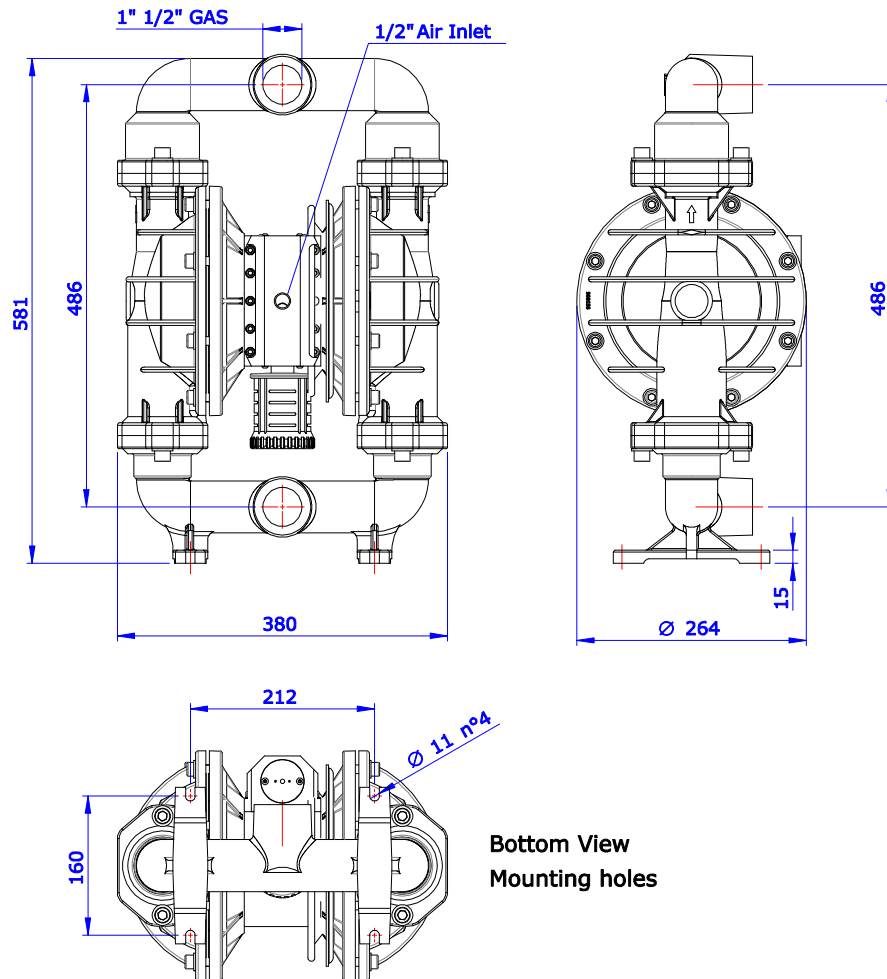
Per pompare 120 l/min ad una pressione di 4 bar, si richiedono di 4,8 bar di alimentazione con consumo d'aria di 87 m<sup>3</sup>/h.  
To pump 120 l/min against a discharge pressure head of 4 bar, requires 4.8 bar and 87 m<sup>3</sup>/h air consumption.



Per pompare 160 l/min ad una pressione di 5 bar, si richiedono di 6.2 bar di alimentazione con consumo d'aria di 70 m<sup>3</sup>/h.  
To pump 160 l/min against a discharge pressure head of 5 bar, requires 6.2 bar and 70 m<sup>3</sup>/h air consumption.



## DIMENSIONS



# DN50 POLYPROPYLENE (2")



## PLUS

- Stainless Steel Screws
- Replaceable Inlet/Outlet valves



## TECHNICAL DATA

Adjustable Flow Rate

Inlet/Outlet Ports

Solids Max Size

Max suction lift dry / wet

Air Inlet

Air Supply Pressure (Min / Max)

Weight

Noise Level

Diaphragms, gaskets, valves

0÷540 l/min (PTFE Diaphragms)

0÷600 l/min (EPDM Diaphragms)

2" Gas Thread

8 mm

3,8 / 9,5 m

3/8" Gas

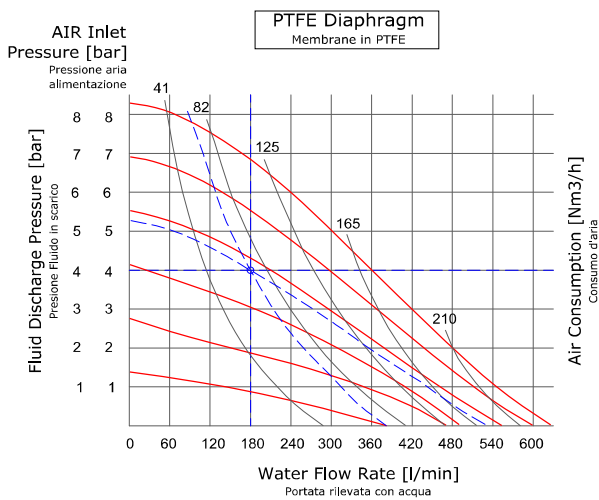
1 / 6.8 bar

31 Kg

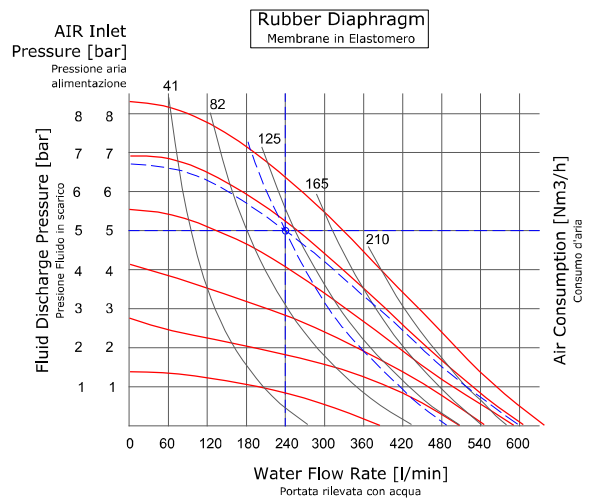
<78 dB [A]

Configurable based on the fluid to process

## PERFORMANCE

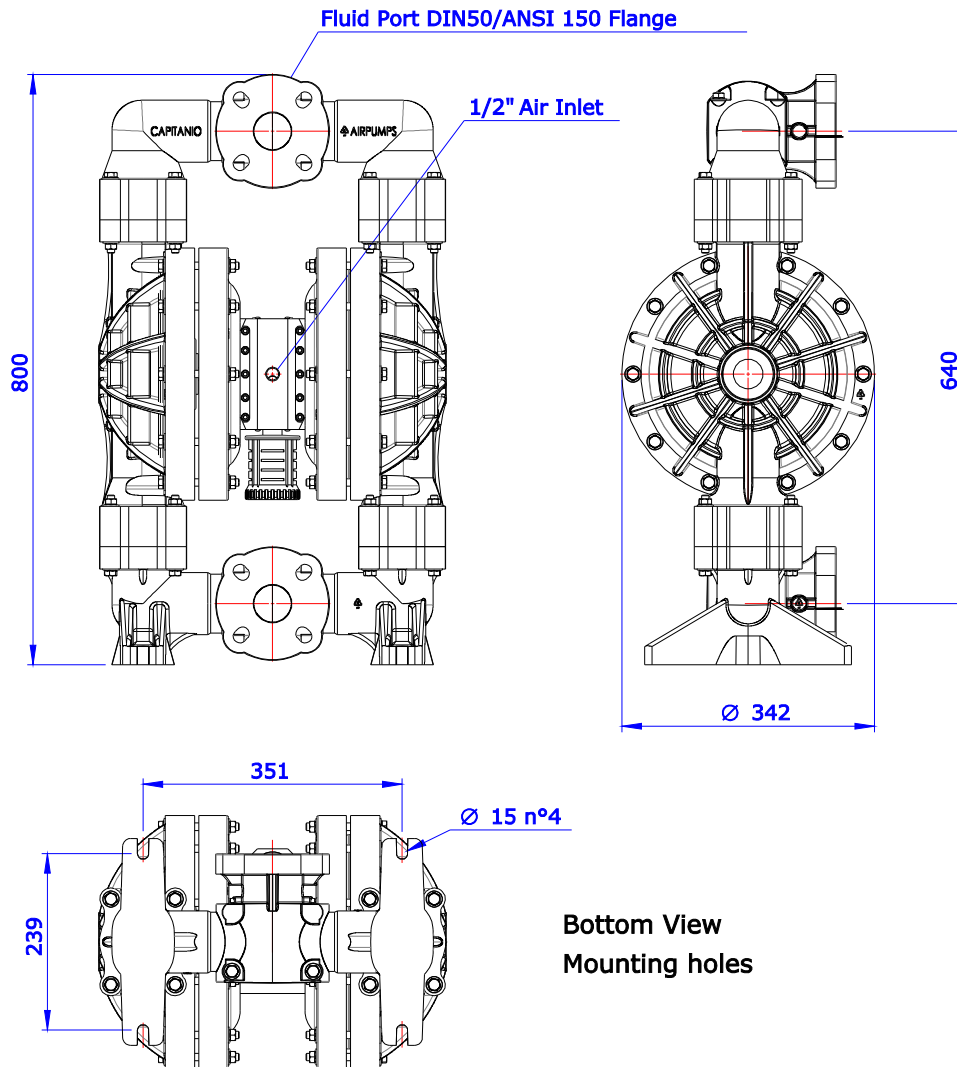


Per pompare 180 l/min ad una pressione di 4 bar, si richiedono di 5.3 bar di alimentazione con consumo d'aria di 65 m<sup>3</sup>/h.  
To pump 180 lpm against a discharge pressure head of 4 bar, requires 5.3 bar and 65 m<sup>3</sup>/h air consumption.



Per pompare 240 l/min ad una pressione di 5 bar, si richiedono di 6.8 bar di alimentazione con consumo d'aria di 110 m<sup>3</sup>/h.  
To pump 240 lpm against a discharge pressure head of 5 bar, requires 6.8 bar and 110 m<sup>3</sup>/h air consumption.

## DIMENSIONS



Bottom View  
Mounting holes

# DN50 PVDF (2")



## PLUS

- Stainless Steel Screws
- Replaceable Inlet/Outlet valves



## TECHINCAL DATA

Adjustable Flow Rate

Inlet/Outlet Ports

Solids Max Size

Max suction lift dry / wet

Air Inlet

Air Supply Pressure (Min / Max)

Weight

Noise Level

Diaphragms, gaskets, valves

0÷540 l/min (PTFE Diaphragms)

0÷600 l/min (EPDM Diaphragms)

2" Gas Thread

8 mm

3,8 / 9,5 m

3/8" Gas

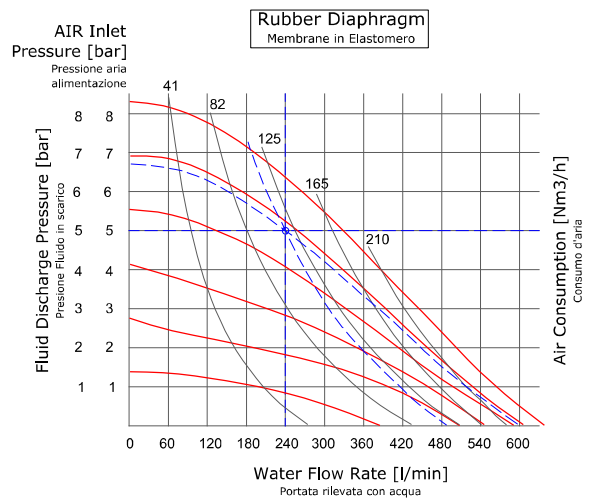
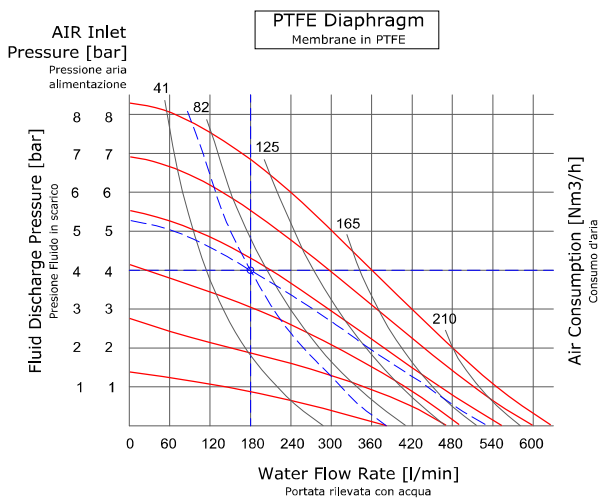
1 / 6.8 bar

35 Kg

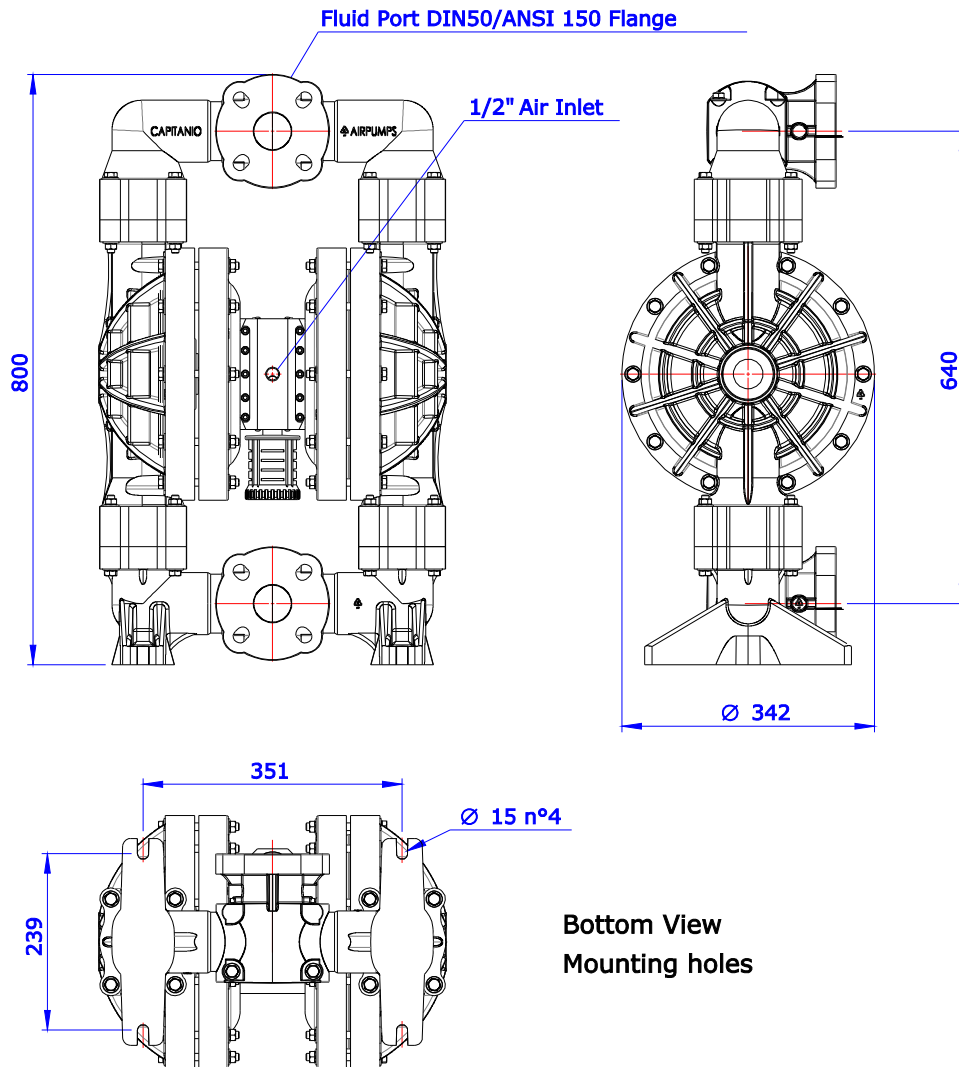
<78 dB [A]

Configurable based on the fluid to process

## PERFORMANCE



## DIMENSIONS



# DN50 STAINLESS STEEL (2")

## PLUS



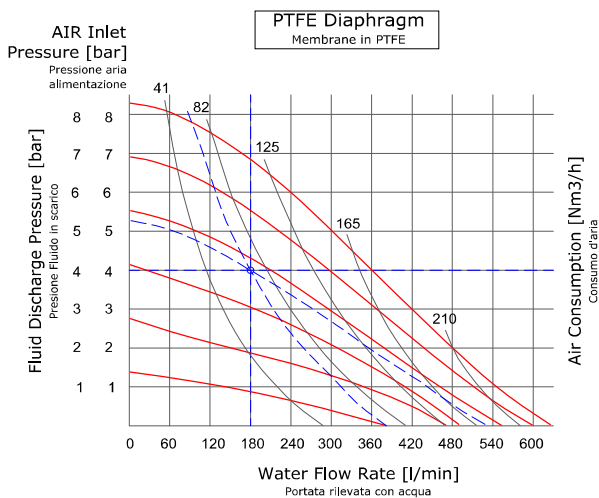
- Wet parts in PTFE and Stainless Steel AISI316L Food Grade
- CIP - Cleaning in Place
- Replaceable Inlet/Outlet valves
- Includes a Wheeled Stainless Steel Kart, 360° Adjustable Inlet and Outlet Ports



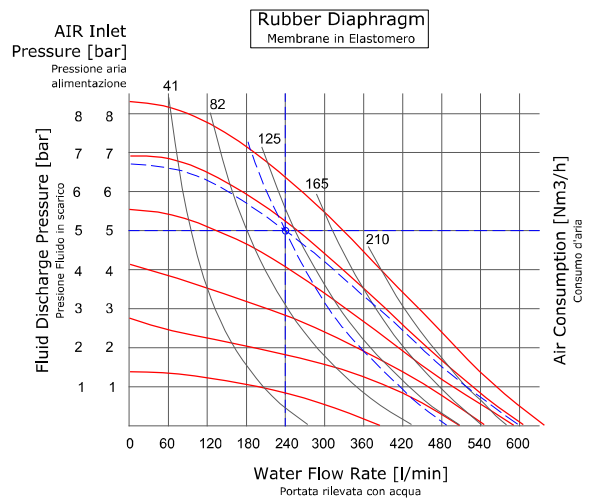
## TECHNICAL DATA

Adjustable Flow Rate	0÷500 l/min
Inlet/Outlet Ports	2" TriClamp or 2" DIN 11853
Solids Max Size	8+8 mm
Max suction lift dry / wet	4,5 / 7 m
Air Inlet	1/2" Gas
Air Supply Pressure (Min / Max)	1 / 6.8 bar
Weight	49 Kg
Noise Level	<78 dB [A]
Gaskets, valves	Configurable based on the fluid to process
Diaphragms	PTFE One Piece, without radial holes and without external plate

## PERFORMANCE

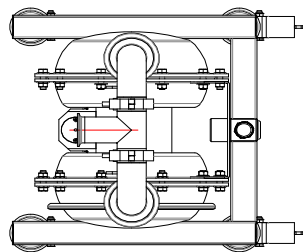
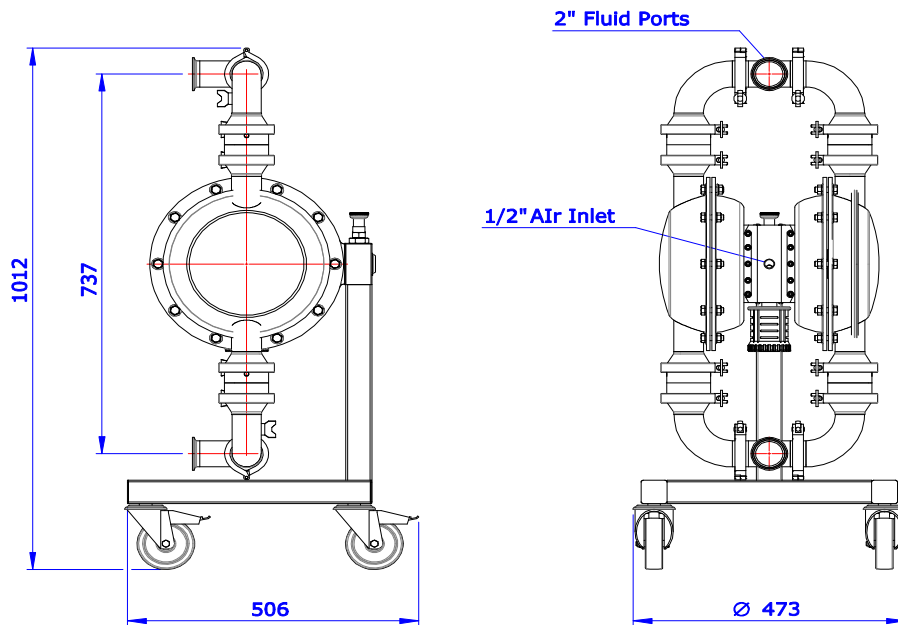


Per pompare 180 l/min ad una pressione di 4 bar, si richiedono di 5.3 bar di alimentazione con consumo d'aria di 65 m<sup>3</sup>/h  
To pump 180 lpm against a discharge pressure head of 4 bar, requires 5.3 bar and 65 m<sup>3</sup>/h air consumption.

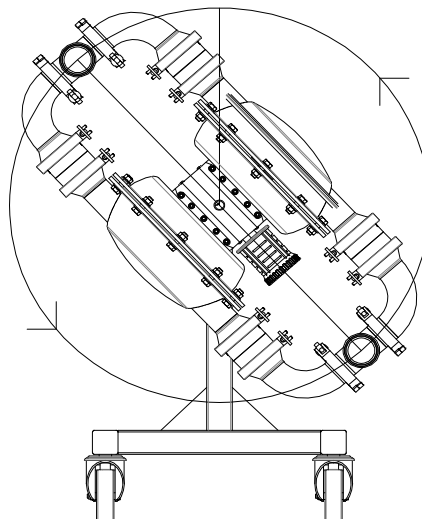


Per pompare 240 l/min ad una pressione di 5 bar, si richiedono di 6.8 bar di alimentazione con consumo d'aria di 110 m<sup>3</sup>/h  
To pump 240 lpm against a discharge pressure head of 5 bar, requires 6.8 bar and 110 m<sup>3</sup>/h air consumption.

## DIMENSIONS



360° Rotation - Ideal for Easy Cleaning



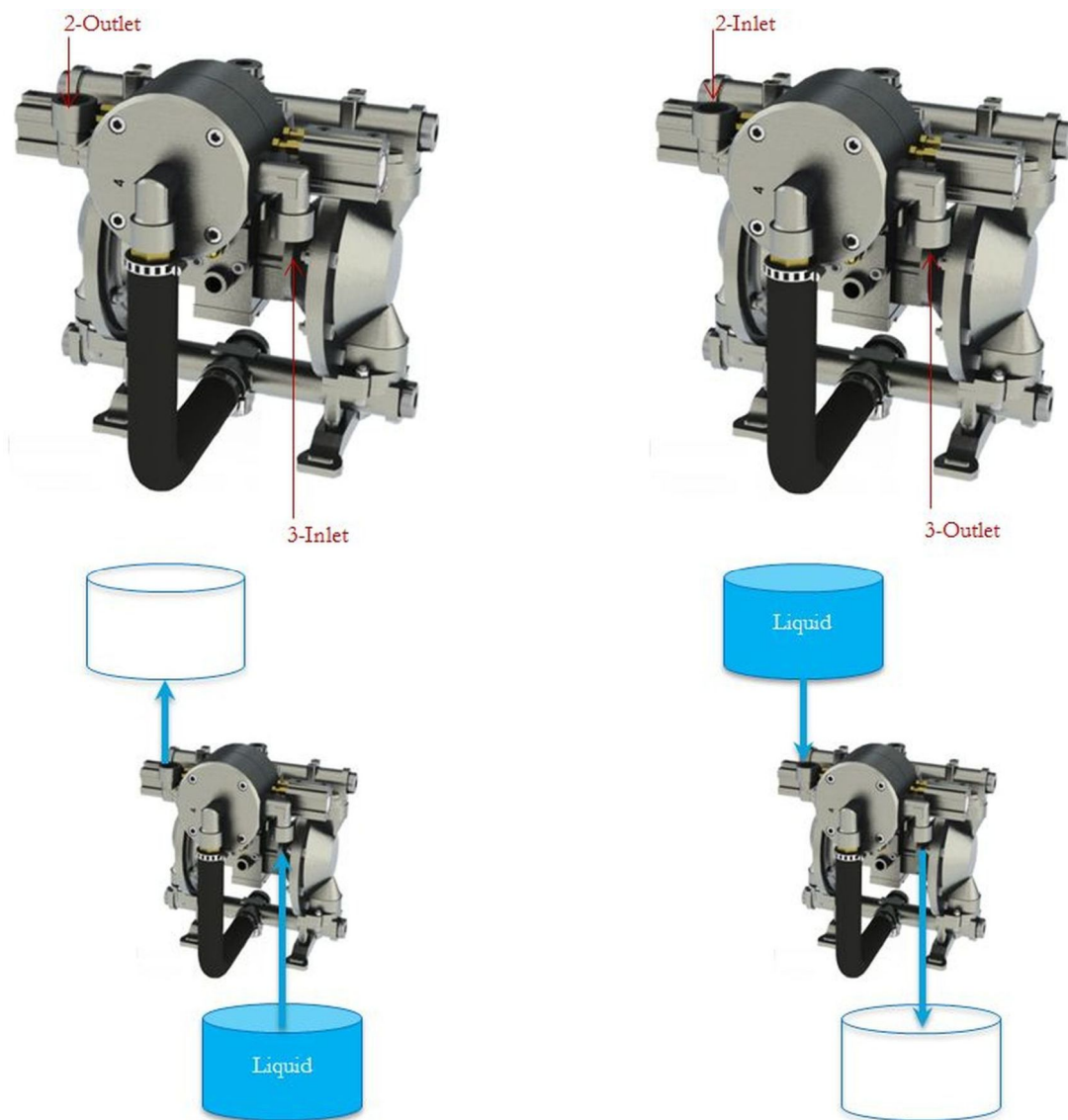
# REVERSE



## WHAT IS A REVERSE

The Reverse is a **Capitania Patented device**. When applied to diaphragm pumps or other types of pump, it allows to invert the flow direction; manually or pneumatically operated, inlet and outlet are reversed.

## REVERSIBLE PUMPS



Phase A: Inlet from Port 3, Outlet from Port 2

Phase B: Inlet from Port 2, Outlet from Port 3

For more information see "Valves, Pulsation Dampeners and Reverse" Catalogue



# CUSTOMIZATION

**FOR EVERY MODEL**

## **Double Inlet / Double Outlet**

With this customization one pump can process two different fluids simultaneously.



## **Different types of material**

Components in contact with the fluid can be manufactured in different types of material to fulfill special chemical and/or temperature requirements.



### **Suggested materials:**

- Polypropylene
- PVDF
- PTFE
- PVC
- Polyethylene
- Stainless Steel

**FOR EVERY MODEL**

## **Air Side protective coatings**

In some applications, for example when the environment has chemically aggressive fumes, or there's the risk of spills, the parts not in contact with the fluid can be protected with a protective coating.

**Example of covers:**

- **Teflon**
- **Nickel**
- **Paint**
- **Cataphoresis**





# ACCESSORIES

## AIR TREATMENT KIT

Pressure regulators, manometers, filters, for a correct supply of the pneumatic pump

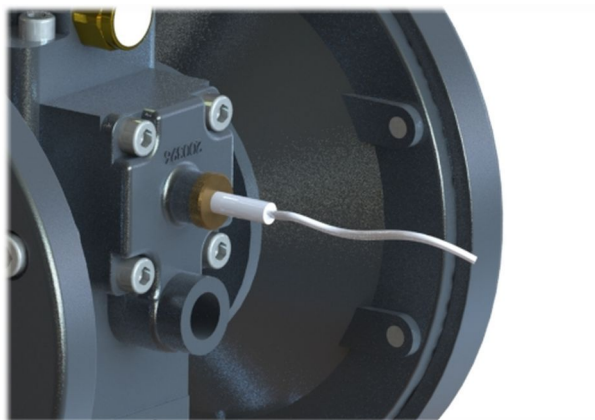


## BEAT COUNTER

Every pump can be provided with a beat counter

## MONITORING DEVICE

Every pump can be provided with an electronic monitoring device, which can be used to operate the pump, diagnosis or statistics.



# PULSATION DAMPENERS

Both electric and pneumatic reciprocating pumps, such as double diaphragm and piston ones, generate a pulsating flow. Sometimes those pulsations compromise the result of the production process, therefore, are needed some precautionary measures to lower those flow variations.

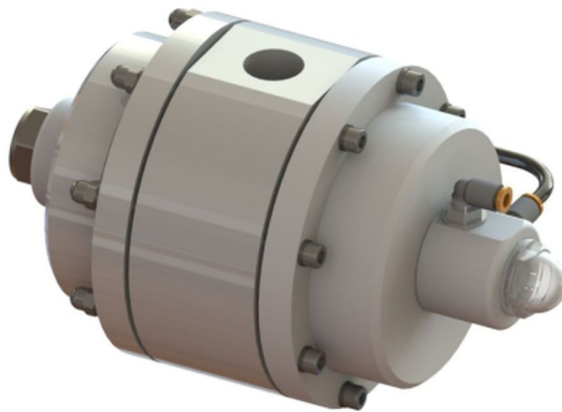
Pulsation dampeners are devices that help transform the pulsating flow into a more linear and steady flow.



## DYNAMIC PULSATION DAMPENERS - NO PULS

A Capitanio Airpumps Patented product. The only double diaphragm pulsation dampener that processes 100% of the fluid.

The dynamic pulsation dampener is a device that actively compensates the pulsations of reciprocating pumps, like diaphragm or piston pumps.

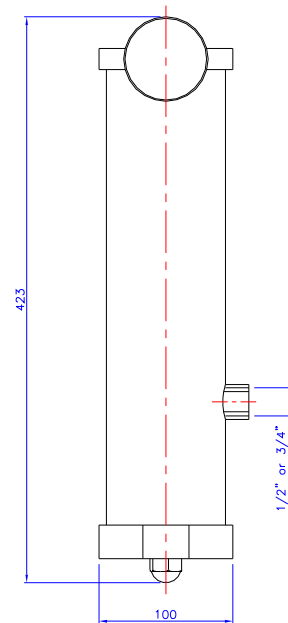


For more information see "**Valves, Pulsation Dampeners and Reverse**" Catalogue

# STATIC PULSATION DAMPENERS

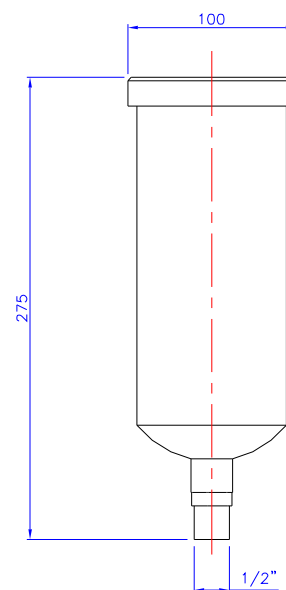
## 2,5 LITERS STATIC PULSATION DAMPENER, IN STAINLESS STEEL

Stainless Steel tank, inspectionable, with manometer. Capacity 2,5 liters. Ports: 1/2" or 3/4" Gas.



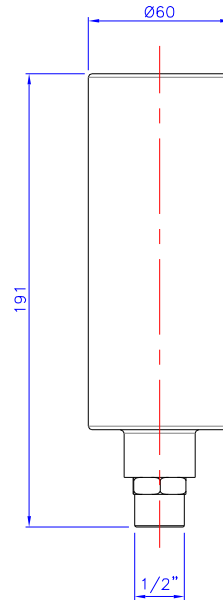
## 1 LITER STATIC PULSATION DAMPENER, IN STAINLESS STEEL

Stainless Steel tank, inspectionable. Capacity 1 liter. 1/2" Gas Port.



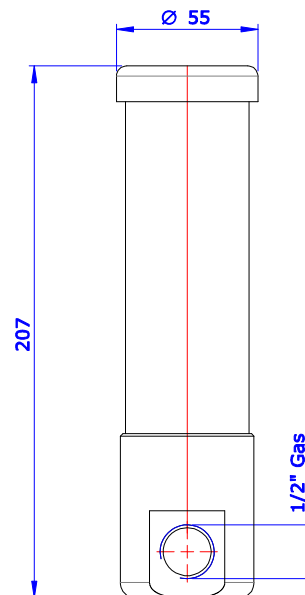
### 0,5 LITER STATIC PULSATION DAMPENER

Steel Tank. Capacity 0,5 liter. 1/2" Gas Port.



### 0,5 LITER STATIC PULSATION DAMPENER, IN STAINLESS STEEL

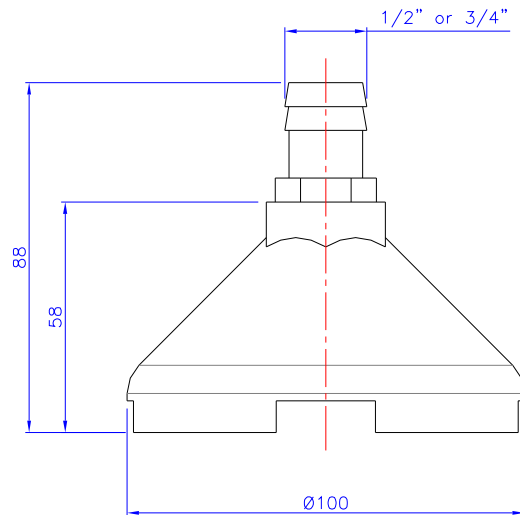
Stainless Steel tank, inspectionable. Capacity 0,5 liter. 1/2" Gas Ports.



# INLET FILTERS

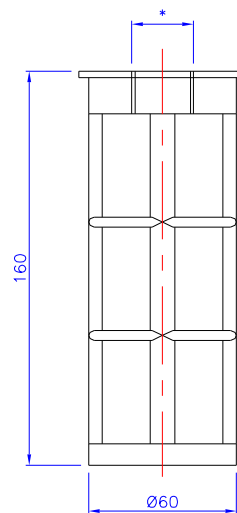
## BELL FILTER

Standard body in Aluminum, can be produced in other materials. Filter net in nylon with different and interchangeable mesh sizes (180/250/600 $\mu$ m). Available with hose connection, Stainless Steel tube, or rubber hose.



## TUBULAR FILTER

Standard body in nylon. Mesh 600 $\mu$ m, available with threaded bushing, hose connection, Stainless Steel tube, or rubber hose.

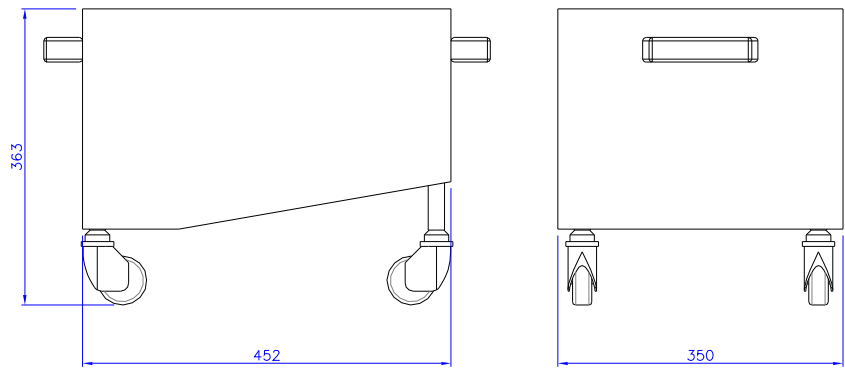




# TANKS & BARRELS

## STAINLESS STEEL TANK

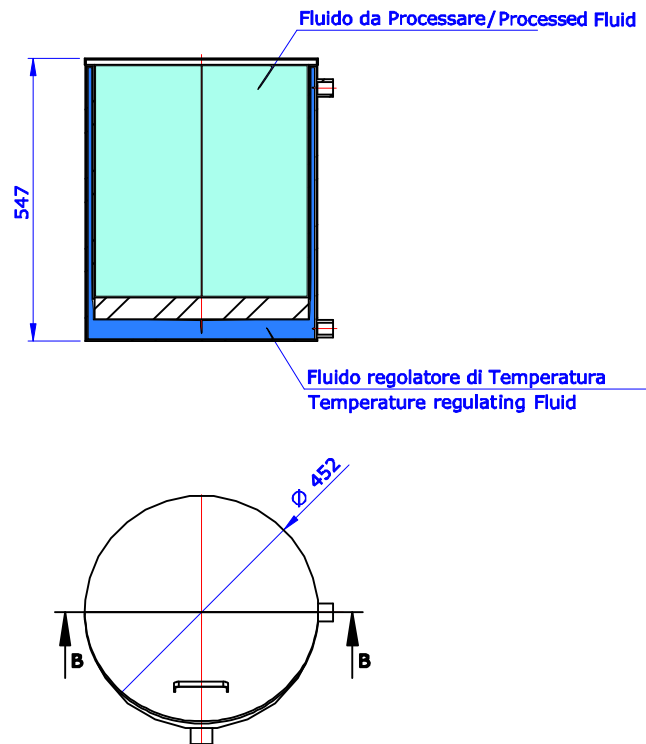
Stainless Steel Tank with inspectionable lid. Cover with customizable holes. Available with or without wheels. Standard size: 40 / 65 / 100 liters. Others sizes upon request.



Dimensions for 40 liters size

## TANK WITH INTERSTITIAL SPACE IN STAINLESS STEEL

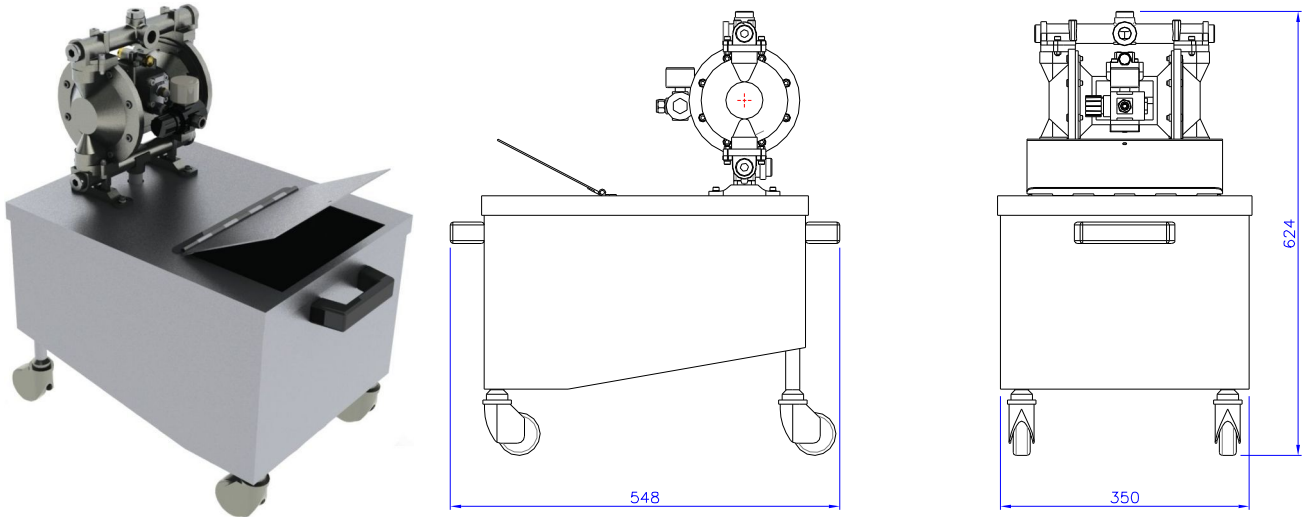
Tank with Interstitial Space in Stainless Steel to easily control the temperature of the processed fluid. Inspectionable lid with customizable holes. Standard size: 55 liters. Others sizes upon request.



# COMPLETE SETS

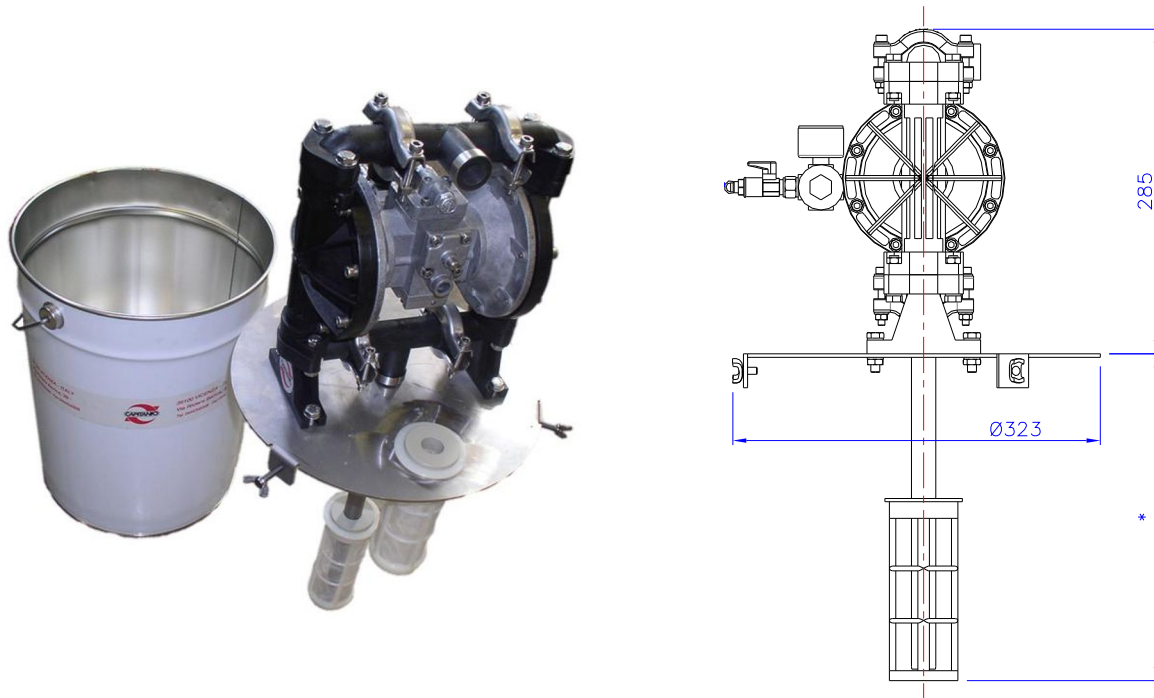
## TANK / DIAPHRAGM PUMP SET

Pre-assembled. Customizable with every accessory.



## SET PUMP / BARREL COVER

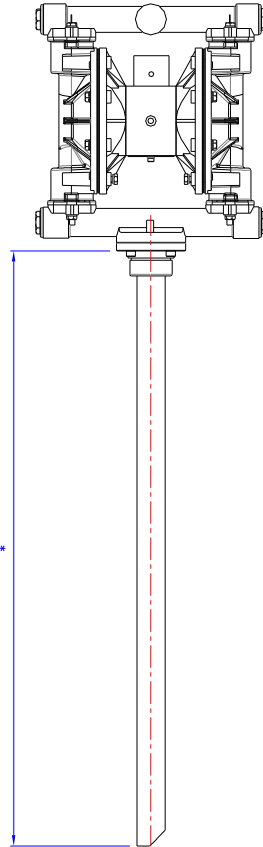
Barrel Cover in Stainless Steel. Customizable suction height. with accessories.



# ADJUSTING KITS

**ADJUSTING KITS FOR 200 LITERS BARRELS OR 1000 LITERS TANKS.**

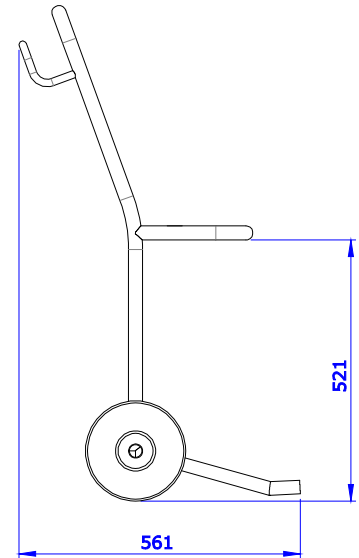
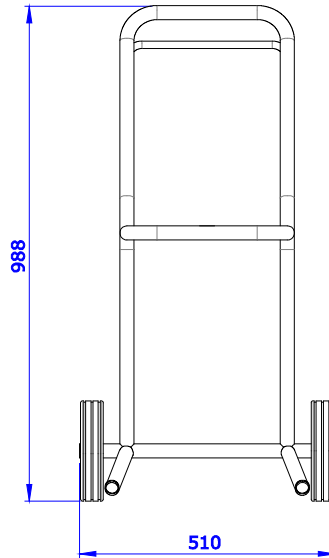
Customizable suction heights upon request.



# SUPPORTS

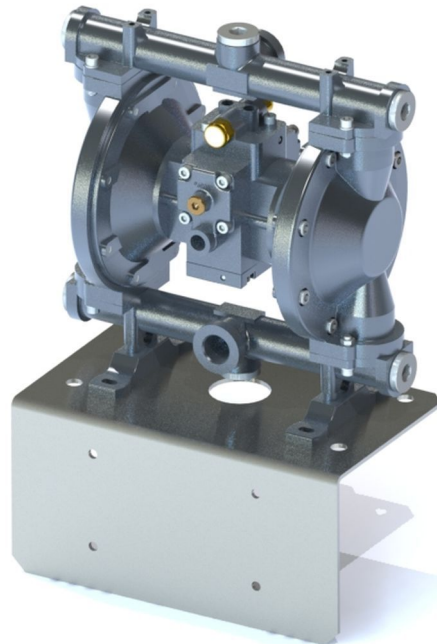
## CART

Black varnished Steel Cart



## BRACKET FOR WALL MOUNTING

Diaphragm Pump Stainless Steel bracket for wall mounting



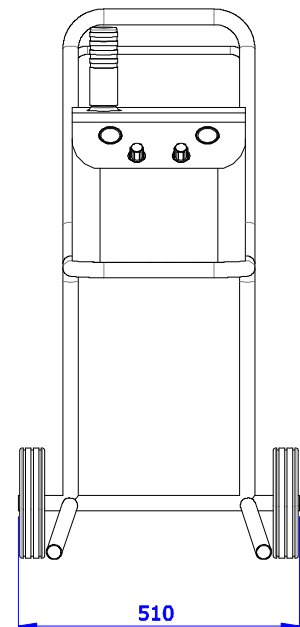
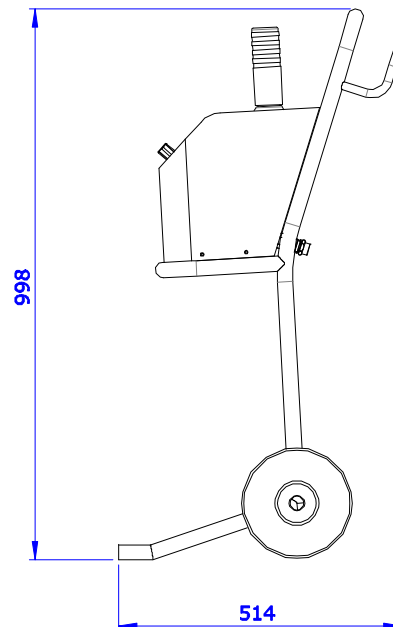
# FAST COLOR

## DESCRIPTION

Fast Color is a completed package specially designed for spray painting.

## MAIN CHARACTERISTICS

- Capitano Airpumps diaphragm pump
- Stainless Steel Kart
- Spraying gun with interchangeable nozzle
- Inlet and Outlet filters
- Air Treatment kits for both pump and gun
- Selectable Fluid Transfer modality



# LIFTERS

## DESCRIPTION

Winch lifter, Stainless Steel frame. It facilitates pump handling, for example in barrel exchanges.

Weight: 50 Kg

Maximum lifting capacity: 180 Kg

